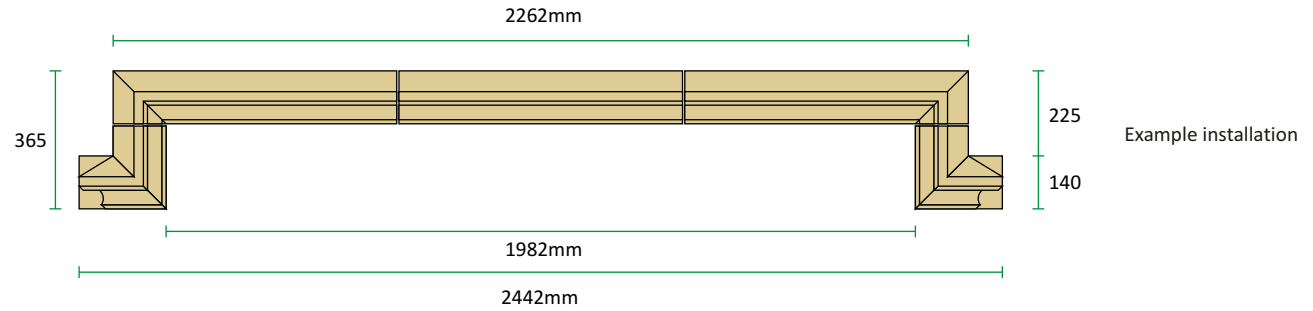
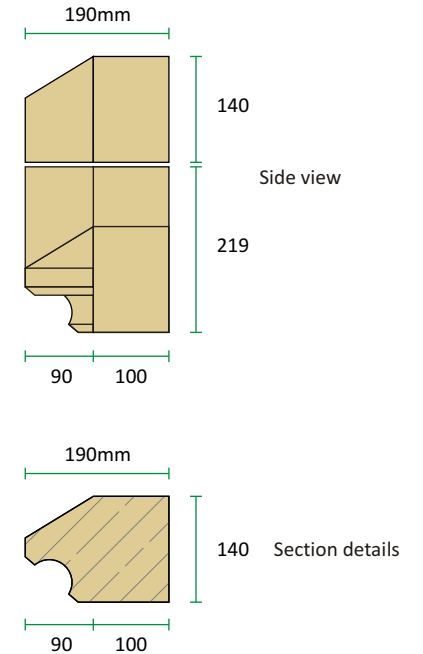
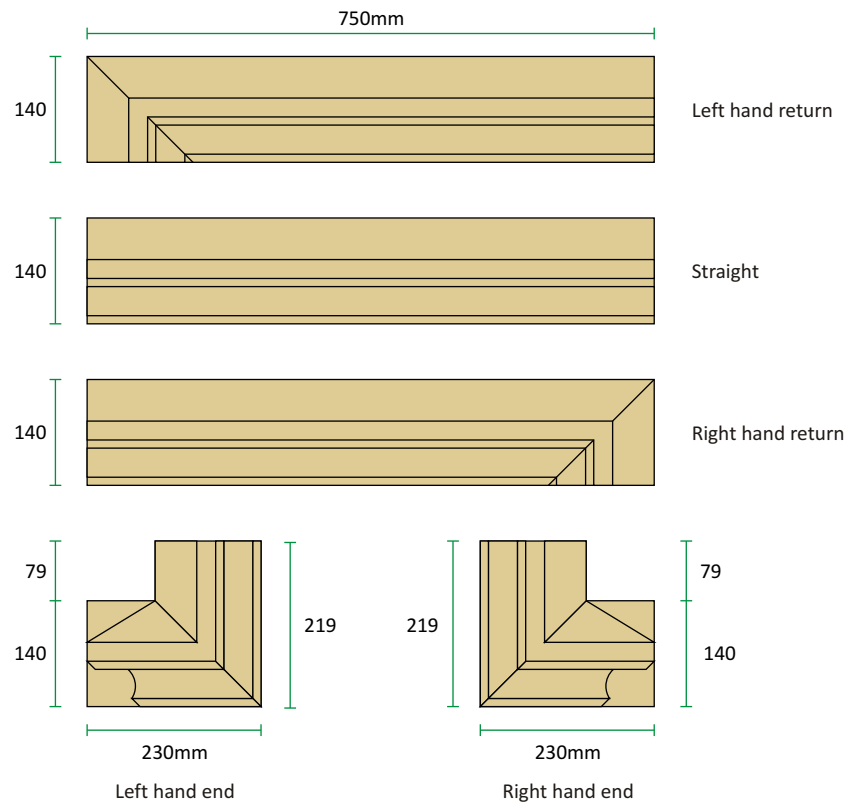
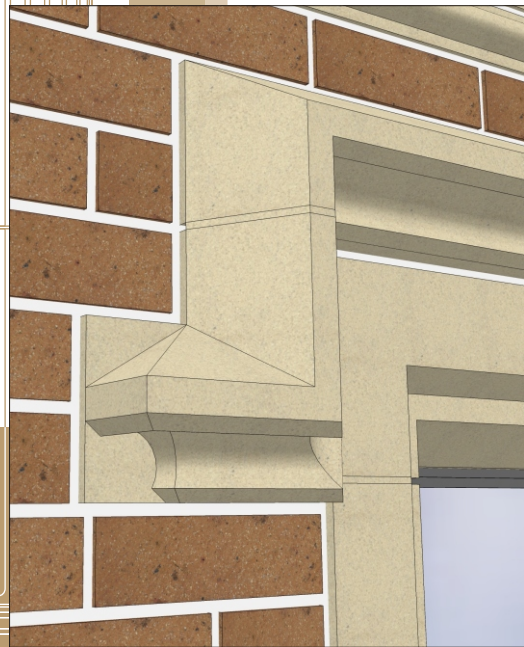


Decorative Hood Moulding

Our Decorative Hood Moulding is designed to compliment any design of window surround both practically and visually.



Typical installation detail



Our Decorative Hood Moulding can be used to create any opening size required. For a quotation, please contact our technical team with your required dimensions on 01258 472685 department

All joints shown 6mm