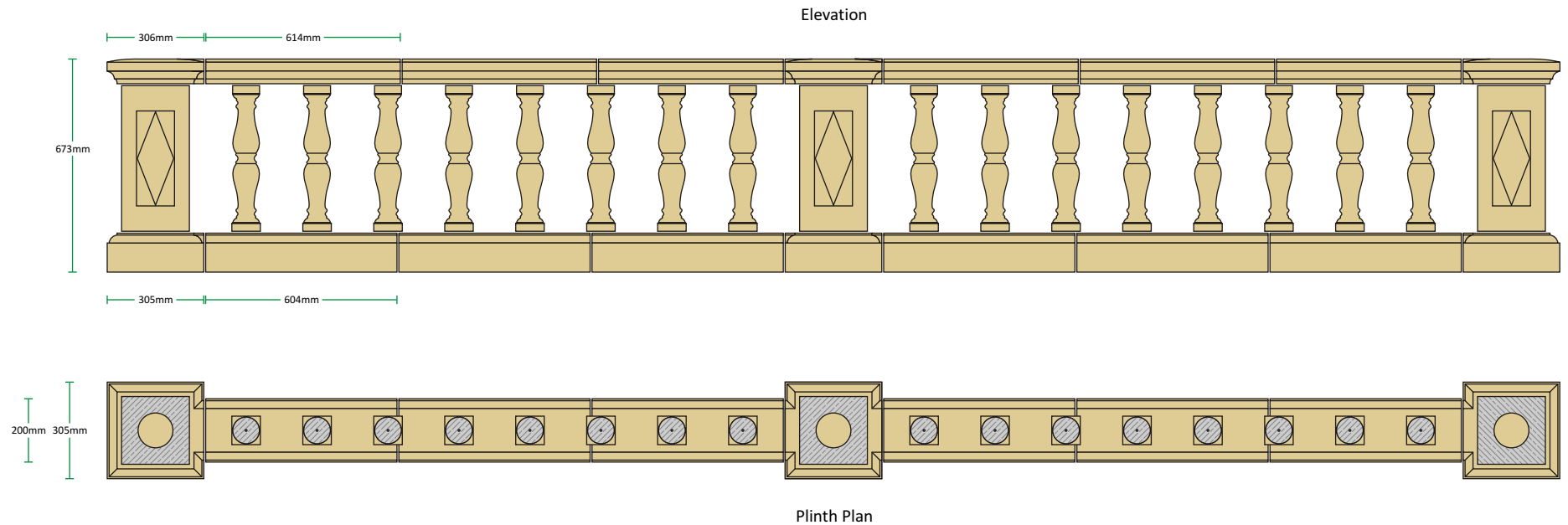


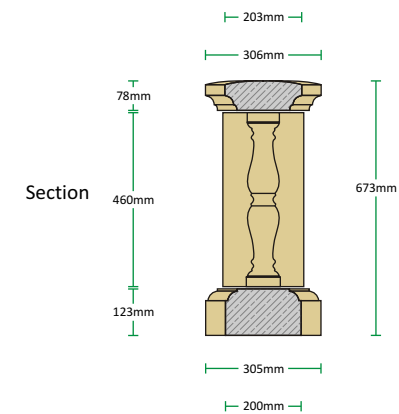
Style 2 Balustrade

Renaissance Baluster combined with the Renaissance Rail and Plinth with Decorated Piers.



'Style 2' Balustrade		Height	Width	Length	Weight
Description	Code	(mm)	(mm)	(mm)	(Kg)
Renaissance baluster	BS6A	460	85	85	5
Renaissance baluster - Sloping*	BS6B	460	85	85	5
Renaissance Rail	BS6C	78	203	614	16
Renaissance Plinth	BS6D	123	200	604	25
Renaissance Pier Cap - End	BS6E	78	306	306	13
Renaissance Pier Cap - Intermediate	BS6F	78	306	306	13
Renaissance Pier Cap - Corner	BS6G	78	306	306	13
Renaissance Pier Plinth - End	BS6H	123	305	305	22
Renaissance Pier Plinth - Intermediate	BS6I	123	305	305	22
Renaissance Pier Plinth - Corner	BS6J	123	305	305	22
Renaissance Decorated Pier Shaft	BS6L	460	214	214	35

* The Sloping Renaissance baluster can be made to any angle, please specify the angle required at time of ordering



All our balustrade styles feature an optional 135° Pier, please call a member of our technical team with your requirements.