

CRANBORNE STONE

Balustrades Catalogue

Butts Pond, Sturminster Newton, Dorset DT10 1AZ
Telephone 01258 472685 *Fax* 01258 471251
email info@cranbornestone.com *web* www.cranbornestone.com

Catalogue version 0.22

Introduction

About Cranborne Stone

At Cranborne Stone we have been supporting property professionals with their building projects for over 30 years, utilising our extensive knowledge and skill in supply of cast stone architectural features.

Our team is made up of approachable estimators, creative designers, skilled craftsmen and a diligent delivery team as well as the essential back office support that ensures each project runs smoothly.

We are proud of our reputation for being easy to deal with and for having a flexible approach enabling us to match the individual demands of each project and look forward to demonstrating these to you.



Guides are available for each of our products. These will help you choose the correct components and assist you in installation.

Our range of standard colours have been developed to reflect the regional variations of true stone.



Bath Yellow



Cotswold



Shaftesbury Green



York



Portland White



Italian Terracotta

Developing a Property with Cranborne Stone

High quality cast stone features will enhance any property project from the restoration of a historic building to a contemporary style new build.

With Cranborne Stone property developers not only benefit from supply of a wide range of distinctive architectural features but also clear and responsive project support.

- **Wide range of styles & features**
- **Bespoke design service**
- **Choice of regional stone colours**
- **Colour matching service to blend the new with existing**
- **Named support for each project**
- **Interpretation of initial drawings**
- **Sound advice on managing cost whilst maintaining aesthetic consistency**
- **Provision of detailed drawings**
- **Restoration capability**
- **Fitting service**
- **Clear to read quotations**
- **Agreed delivery dates**

If you would like to know more or would like specific assistance with a project please call or email one of our knowledgeable team who will be pleased to help.

Contents

Balustrade

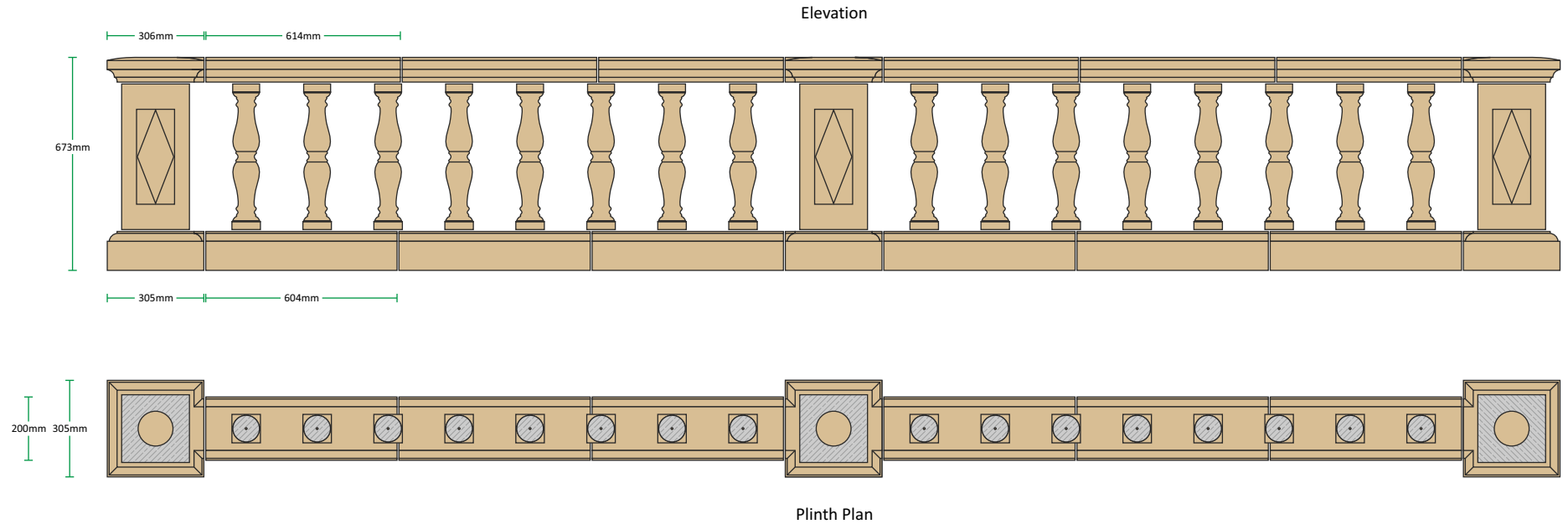
Style 2 Balustrade	1.1
Style 3 Balustrade	1.2
Style 4 Balustrade	1.3
Style 5 Balustrade	1.4
Style 6 Balustrade	1.5
Style 7 Balustrade	1.6
Style 9 Balustrade	1.7
Style 10 Balustrade	1.8
Style 13 Balustrade	1.9
Style 14 Balustrade	1.10
Style 18 Balustrade	1.11
Style 20 Balustrade	1.12
Style 21 Balustrade	1.13
Style 22 Balustrade	1.14
Style 23 Balustrade	1.15
Style 24 Balustrade	1.16
Style 25 Balustrade	1.17
Baluster Range	1.18

Information

CAD and technical information	3.1
Glossary and FAQ's	3.2

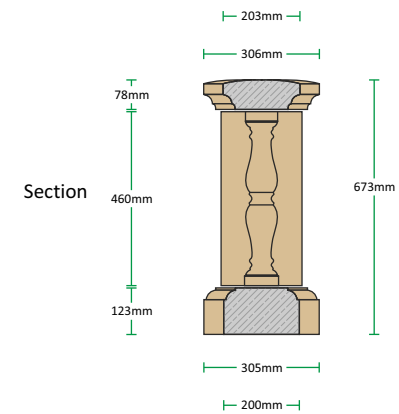
Style 2 Balustrade

Renaissance Baluster combined with the Renaissance Rail and Plinth with Decorated Piers.



'Style 2' Balustrade		Height	Width	Length	Weight
Description	Code	(mm)	(mm)	(mm)	(Kg)
Renaissance baluster	BS6A	460	85	85	5
Renaissance baluster - Sloping*	BS6B	460	85	85	5
Renaissance Rail	BS6C	78	203	614	16
Renaissance Plinth	BS6D	123	200	604	25
Renaissance Pier Cap - End	BS6E	78	306	306	13
Renaissance Pier Cap - Intermediate	BS6F	78	306	306	13
Renaissance Pier Cap - Corner	BS6G	78	306	306	13
Renaissance Pier Plinth - End	BS6H	123	305	305	22
Renaissance Pier Plinth - Intermediate	BS6I	123	305	305	22
Renaissance Pier Plinth - Corner	BS6J	123	305	305	22
Renaissance Decorated Pier Shaft	BS6L	460	214	214	35

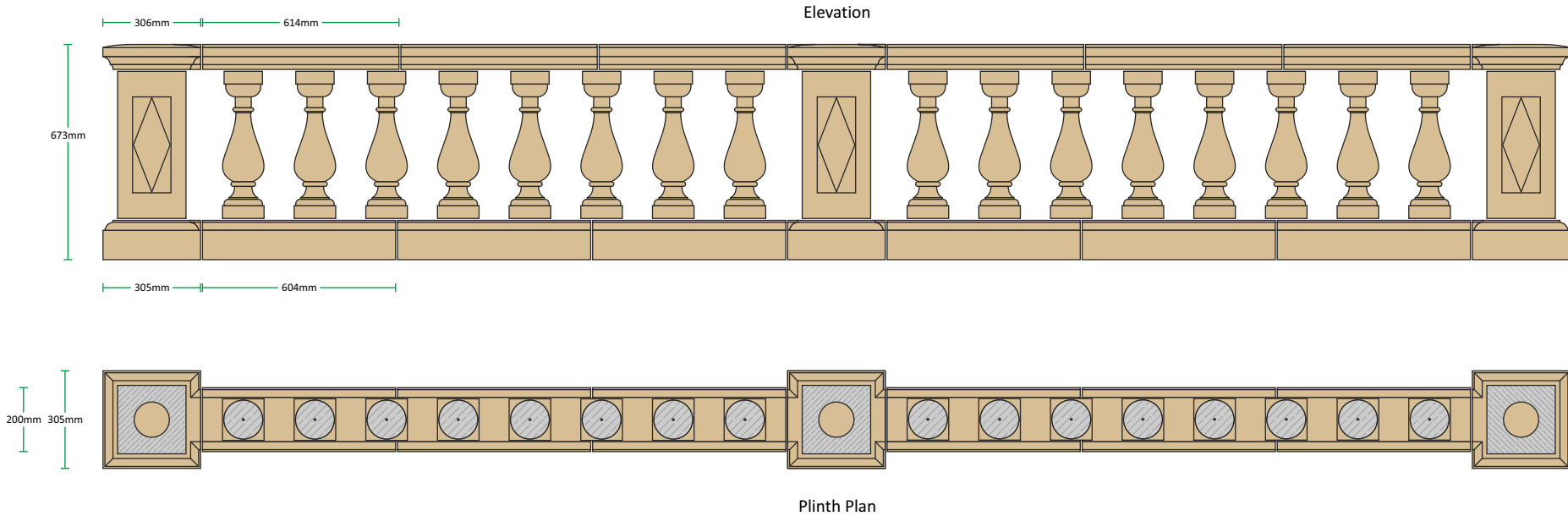
* The Sloping Renaissance baluster can be made to any angle, please specify the angle required at time of ordering



All our balustrade styles feature an optional 135° Pier, please call a member of our technical team with your requirements.

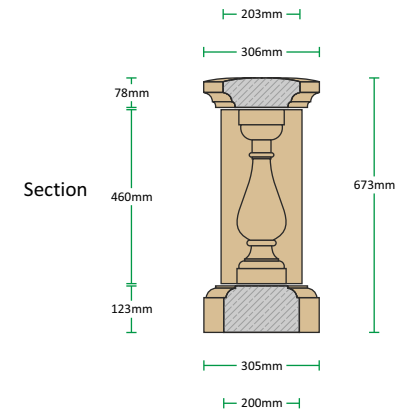
Style 3 Balustrade

Henbury Baluster combined with the Renaissance Rail and Plinth with Decorated Piers.



'Style 3' Balustrade		Height	Width	Length	Weight
Description	Code	(mm)	(mm)	(mm)	(Kg)
Henbury baluster	BS16A	460	130	130	10
Henbury baluster - Sloping*	BS16B	460	130	130	10
Renaissance Rail	BS6C	78	203	614	16
Renaissance Plinth	BS6D	123	200	604	25
Renaissance Pier Cap - End	BS6E	78	306	306	13
Renaissance Pier Cap - Intermediate	BS6F	78	306	306	13
Renaissance Pier Cap - Corner	BS6G	78	306	306	13
Renaissance Pier Plinth - End	BS6H	123	305	305	22
Renaissance Pier Plinth - Intermediate	BS6I	123	305	305	22
Renaissance Pier Plinth - Corner	BS6J	123	305	305	22
Renaissance Decorated Pier Shaft	BS6L	460	214	214	35

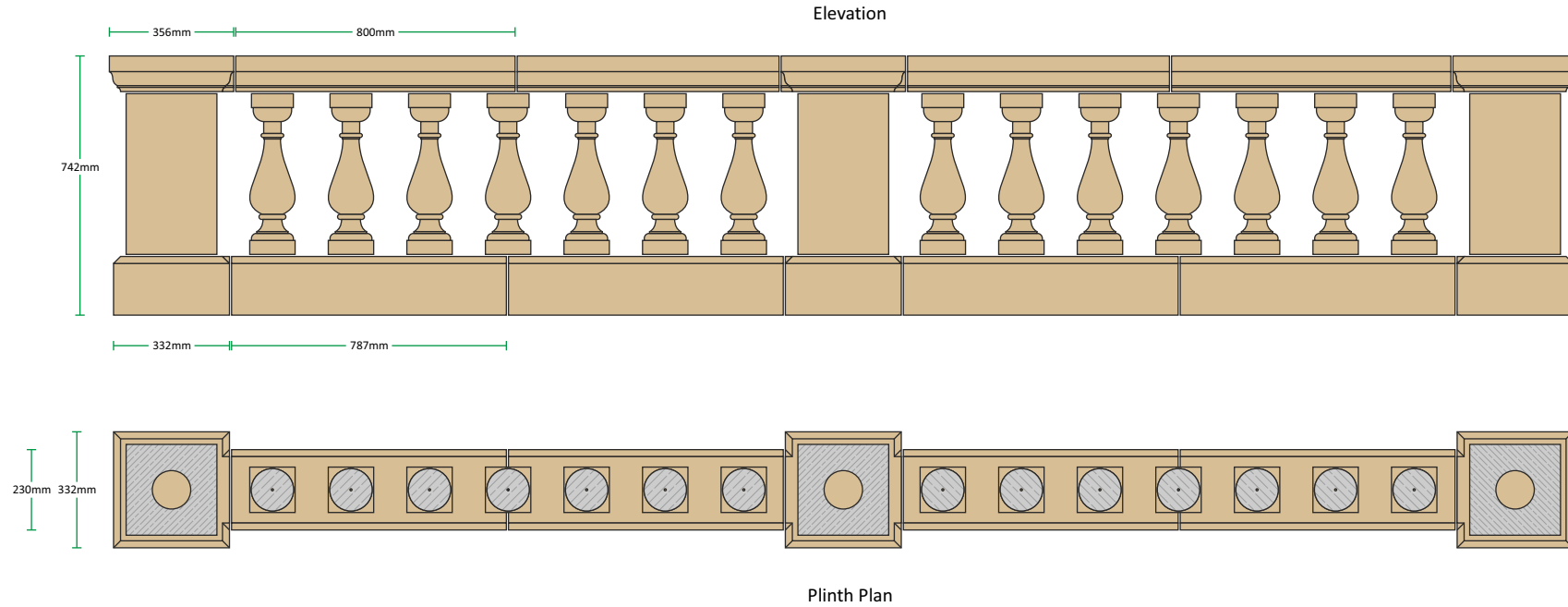
* The Sloping Henbury baluster can be made to any angle, please specify the angle required at time of ordering



All our balustrade styles feature an optional 135° Pier, please call a member of our technical team with your requirements.

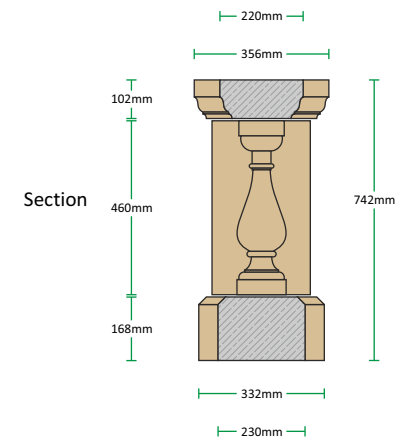
Style 4 Balustrade

Henbury Baluster combined with the Kensington Rail and the Georgian Plinth with Plain Piers.



'Style 4' Balustrade		Height	Width	Length	Weight
Description	Code	(mm)	(mm)	(mm)	(Kg)
Henbury baluster	BS16A	460	130	130	10
Henbury baluster - Sloping*	BS16B	460	130	130	10
Kensington Rail	BS7C	102	220	800	31
Georgian Plinth	BS4D	168	230	787	60
Kensington Pier Cap - End	BS7E	102	356	356	24
Kensington Pier Cap - Intermediate	BS7F	102	356	356	24
Kensington Pier Cap - Corner	BS7G	102	356	356	24
Georgian Pier Plinth - End	BS4H	168	332	332	36
Georgian Pier Plinth - Intermediate	BS4I	168	332	332	36
Georgian Pier Plinth - Corner	BS4J	168	332	332	36
Henbury Plain Pier Shaft	BS16K/460	460	260	260	56

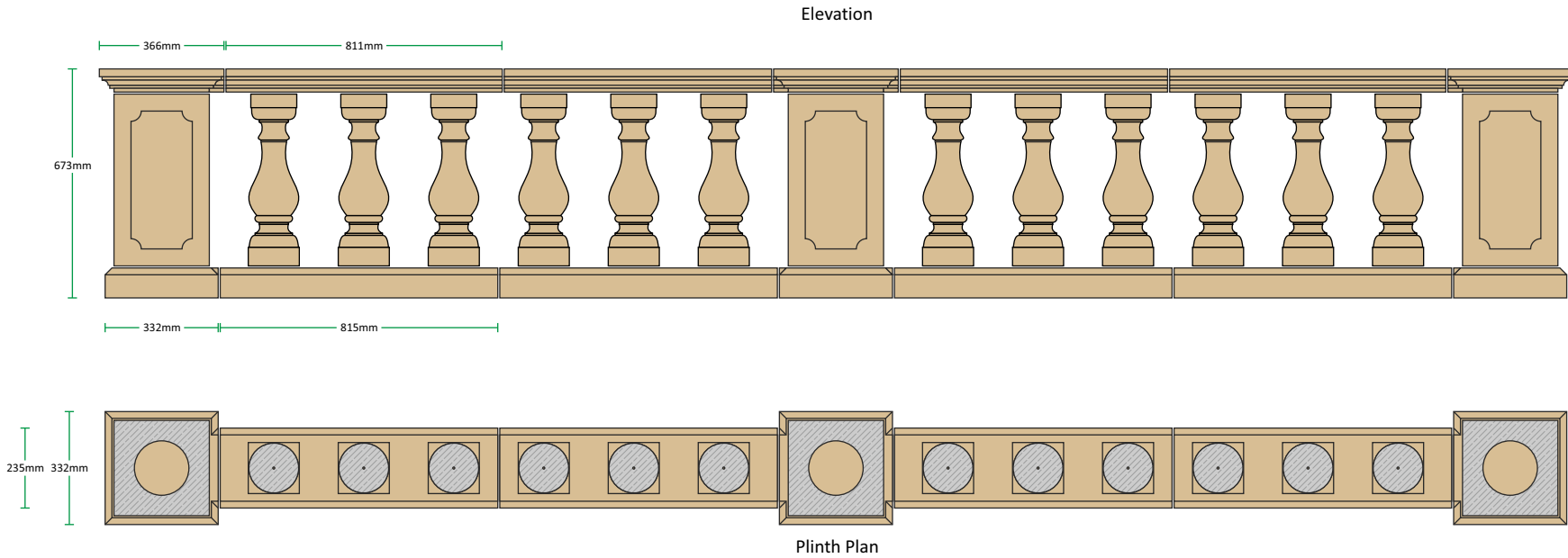
* The Sloping Henbury baluster can be made to any angle, please specify the angle required at time of ordering



All our balustrade styles feature an optional 135° Pier, please call a member of our technical team with your requirements.

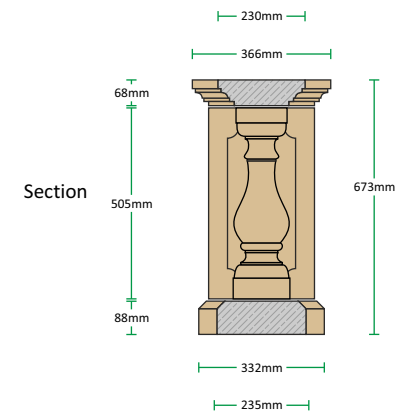
Style 5 Balustrade

Classical Baluster combined with the Classical Rail and Plinth with Decorated Piers.



'Style 5' Balustrade		Height	Width	Length	Weight
Description	Code	(mm)	(mm)	(mm)	(Kg)
Classical baluster	BS5A	505	150	150	13
Classical baluster - Sloping*	BS5B	505	150	150	13
Classical Rail	BS5C	68	230	811	21
Classical Plinth	BS5D	88	235	815	33
Classical Pier Cap - End	BS5E	68	366	366	16
Classical Pier Cap - Intermediate	BS5F	68	366	366	16
Classical Pier Cap - Corner	BS5G	68	366	366	16
Classical Pier Plinth - End	BS5H	88	332	332	19
Classical Pier Plinth - Intermediate	BS5I	88	332	332	19
Classical Pier Plinth - Corner	BS5J	88	332	332	19
Classical Decorated Pier Shaft	BS5L	505	280	280	62

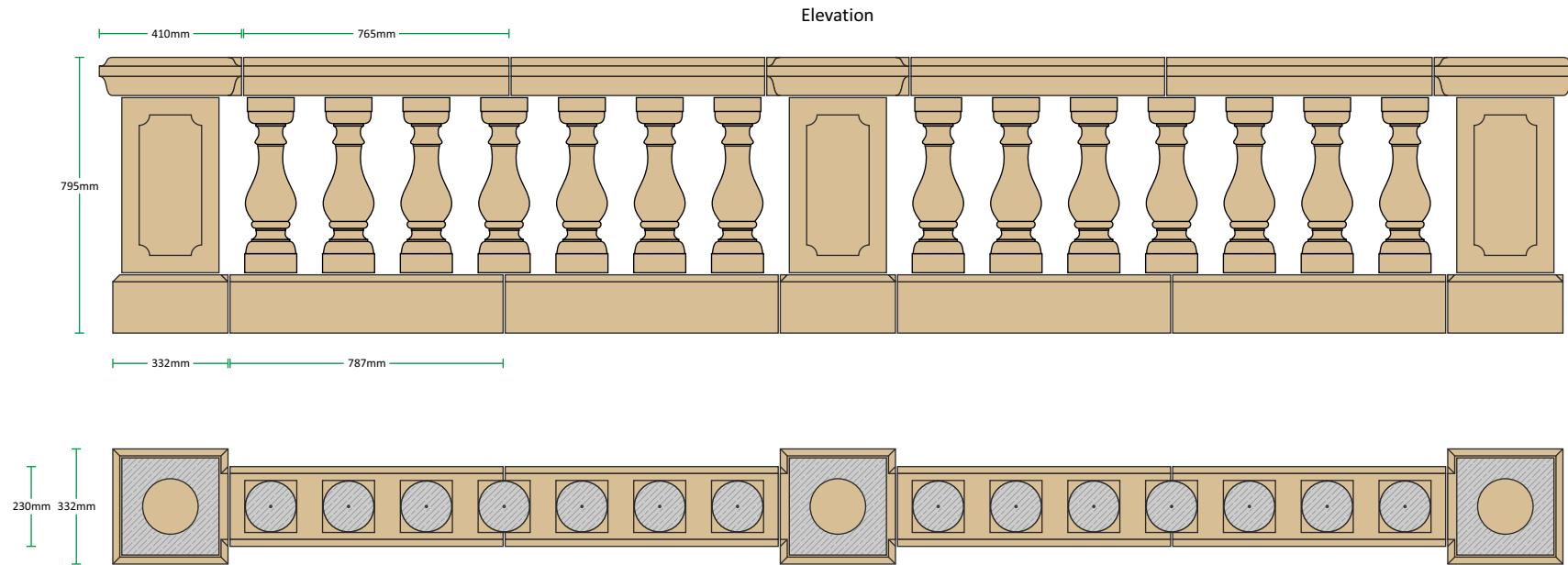
* The Sloping Classical baluster can be made to any angle, please specify the angle required at time of ordering



All our balustrade styles feature an optional 135° Pier, please call a member of our technical team with your requirements.

Style 6 Balustrade

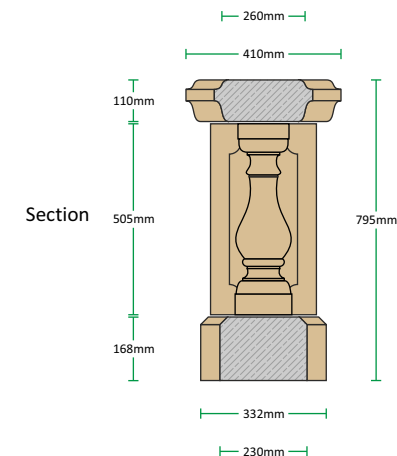
Classical Baluster combined with the Georgian Rail and Plinth with Decorated Piers.



Plinth Plan

'Style 6' Balustrade		Height	Width	Length	Weight
Description	Code	(mm)	(mm)	(mm)	(Kg)
Classical baluster	BS5A	505	150	150	13
Classical baluster - Sloping*	BS5B	505	150	150	13
Georgian Rail	BS4C	110	260	765	37
Georgian Plinth	BS4D	168	230	787	60
Georgian Pier Cap - End	BS4E	110	410	410	33
Georgian Pier Cap - Intermediate	BS4F	110	410	410	33
Georgian Pier Cap - Corner	BS4G	110	410	410	33
Georgian Pier Plinth - End	BS4H	168	332	332	36
Georgian Pier Plinth - Intermediate	BS4I	168	332	332	36
Georgian Pier Plinth - Corner	BS4J	168	332	332	36
Classical Decorated Pier Shaft	BS5L	505	280	280	62

* The Sloping Classical baluster can be made to any angle, please specify the angle required at time of ordering

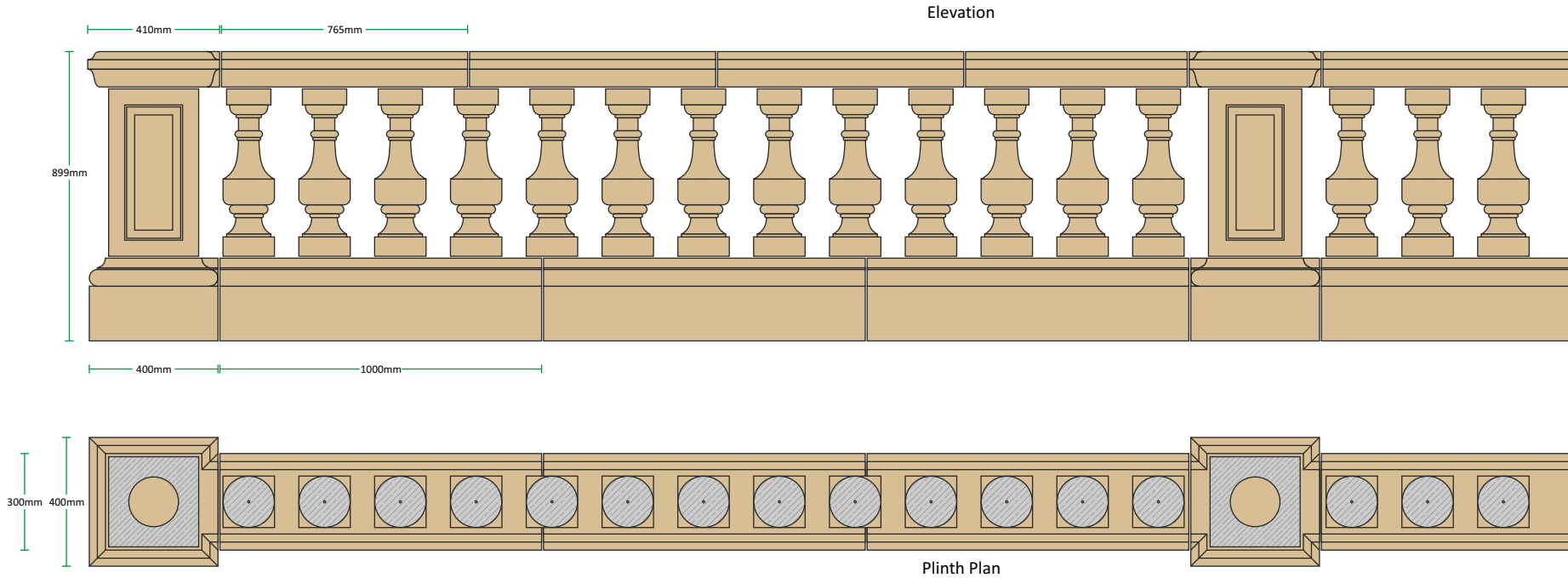


Section

All our balustrade styles feature an optional 135° Pier, please call a member of our technical team with your requirements.

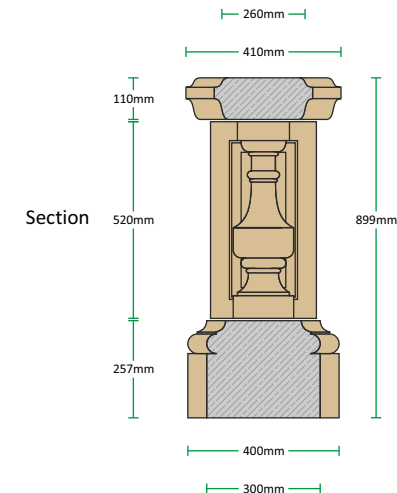
Style 7 Balustrade

Vaux-Le-Vicomte Baluster combined with the Georgian Rail and Vyne Plinth with Decorated Piers.



'Style 7' Balustrade		Height	Width	Length	Weight
Description	Code	(mm)	(mm)	(mm)	(Kg)
Vaux-le-Vicomte baluster	BS14A	520	160	160	19
Vaux-le-Vicomte baluster - Sloping*	BS14B	520	140	140	19
Georgian Rail	BS4C	110	260	765	37
Vyne Plinth	BS12D	257	300	1000	113
Georgian Pier Cap - End	BS4E	110	410	410	33
Georgian Pier Cap - Intermediate	BS4F	110	410	410	33
Georgian Pier Cap - Corner	BS4G	110	410	410	33
Vyne Pier Plinth - End	BS12H	257	400	400	60
Vyne Pier Plinth - Intermediate	BS12I	257	400	400	60
Vyne Pier Plinth - Corner	BS12J	257	400	400	60
Vyne Panelled Pier Shaft	BS12L/520	520	280	280	64

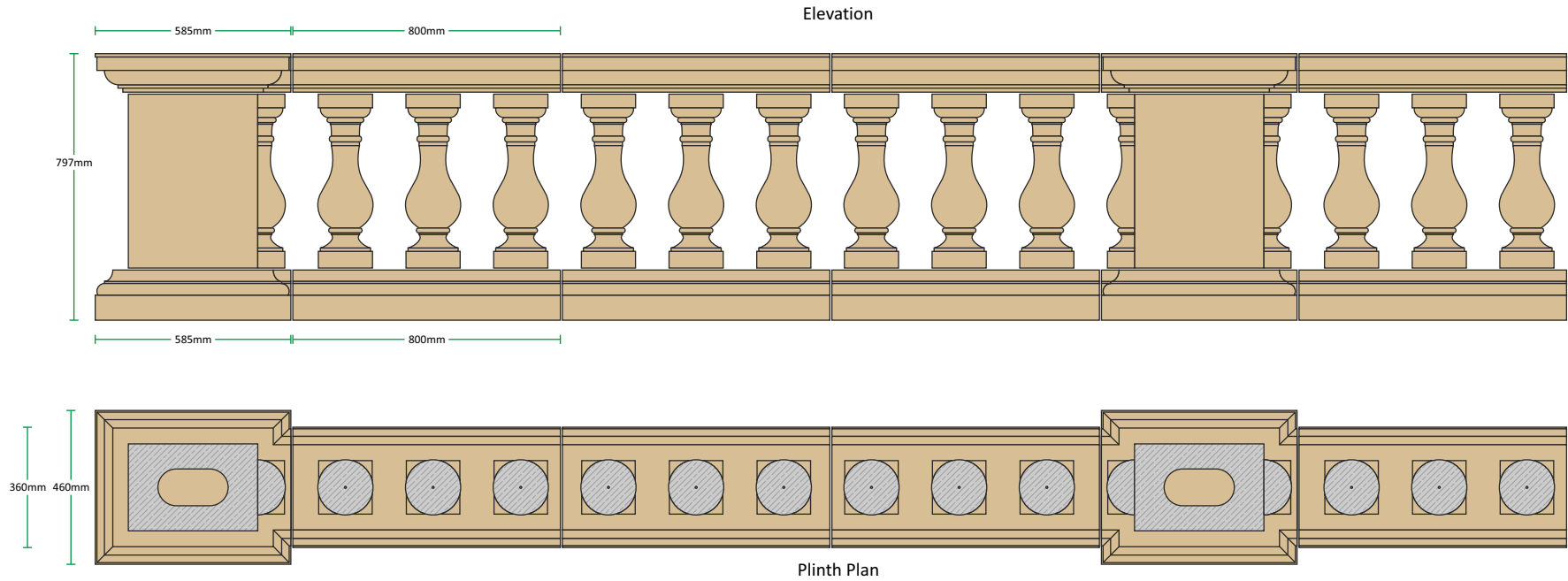
* The Sloping Vaux-Le-Vicomte baluster can be made to any angle, please specify the angle required at time of ordering



All our balustrade styles feature an optional 135° Pier, please call a member of our technical team with your requirements.

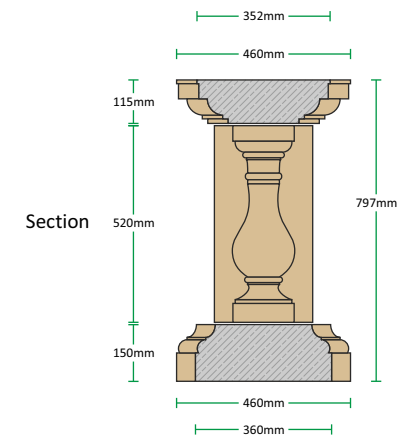
Style 9 Balustrade

Regency Baluster combined with the Regency Rail and Plinth with Plain Piers.



'Style 9' Balustrade		Height	Width	Length	Weight
Description	Code	(mm)	(mm)	(mm)	(Kg)
Regency baluster	BS2A	520	160	160	20
Regency baluster - Half	BS2AH	520	160	80	10
Regency baluster - Sloping*	BS2B	520	160	160	20
Regency Rail	BS2C	115	352	800	54
Regency Plinth	BS2D	150	360	800	72
Regency Pier Cap - End	BS2E	115	585	460	58
Regency Pier Cap - Intermediate	BS2F	115	585	460	58
Regency Pier Cap - Corner	BS2G	115	585	585	71
Regency Pier Plinth - End	BS2H	150	585	460	76
Regency Pier Plinth - Intermediate	BS2I	150	585	460	76
Regency Pier Plinth - Corner	BS2J	150	585	585	92
Regency Pier Shaft - Plain	BS2K	520	387	260	89
Regency Pier Shaft - Plain - Corner	BS2LC	520	387	387	120

* The Sloping Regency baluster can be made to any angle, please specify the angle required at time of ordering

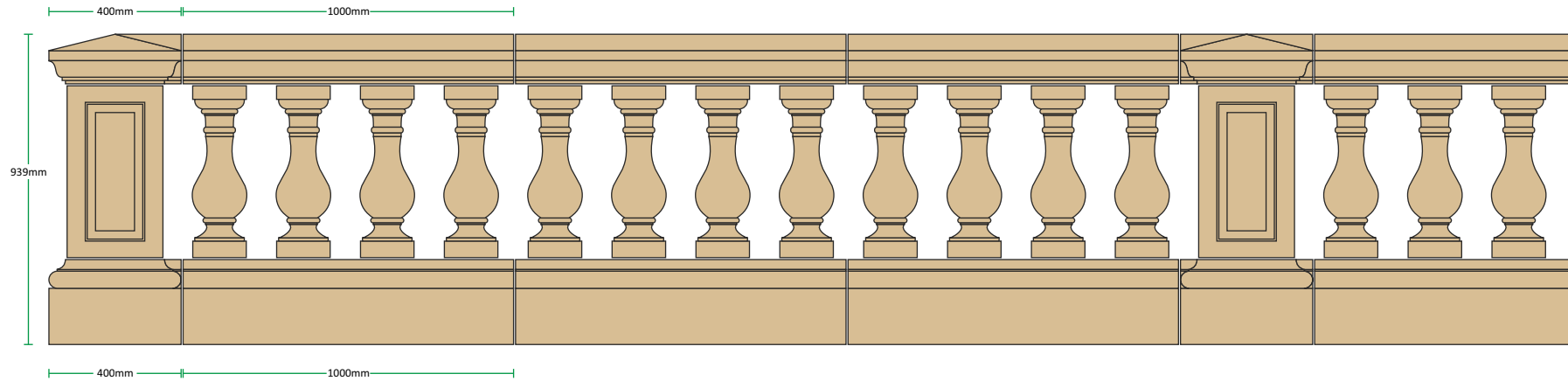


All our balustrade styles feature an optional 135° Pier, please call a member of our technical team with your requirements.

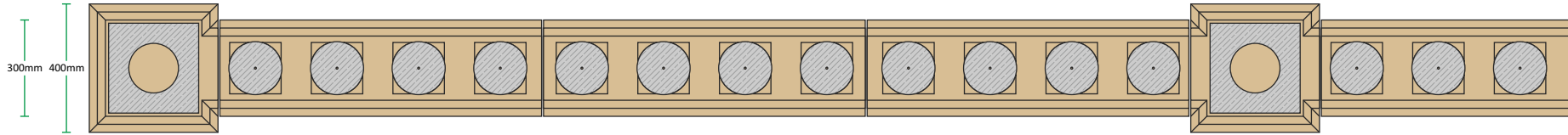
Style 10 Balustrade

Regency Baluster combined with the Vyne Rail and Plinth with Decorated Piers.

Elevation



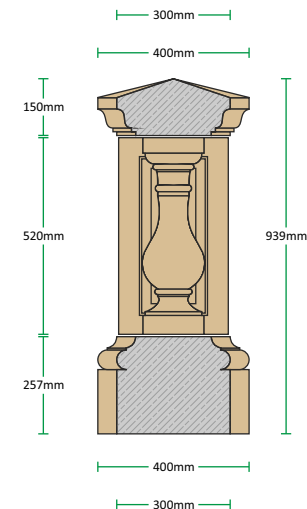
Plinth Plan



'Style 10' Balustrade		Height	Width	Length	Weight
Description	Code	(mm)	(mm)	(mm)	(Kg)
Regency baluster	BS2A	520	160	160	20
Regency baluster - Sloping*	BS2B	520	160	160	20
Vyne Rail	BS12C	150	300	1000	71
Vyne Plinth	BS12D	257	300	1000	113
Vyne Pier Cap - End	BS12E	150	400	400	32
Vyne Pier Cap - Intermediate	BS12F	150	400	400	32
Vyne Pier Cap - Corner	BS12G	150	400	400	32
Vyne Pier Plinth - End	BS12H	257	400	400	60
Vyne Pier Plinth - Intermediate	BS12I	257	400	400	60
Vyne Pier Plinth - Corner	BS12J	257	400	400	60
Vyne Panelled Pier Shaft	BS12L/520	520	280	280	64

* The Sloping Regency baluster can be made to any angle, please specify the angle required at time of ordering

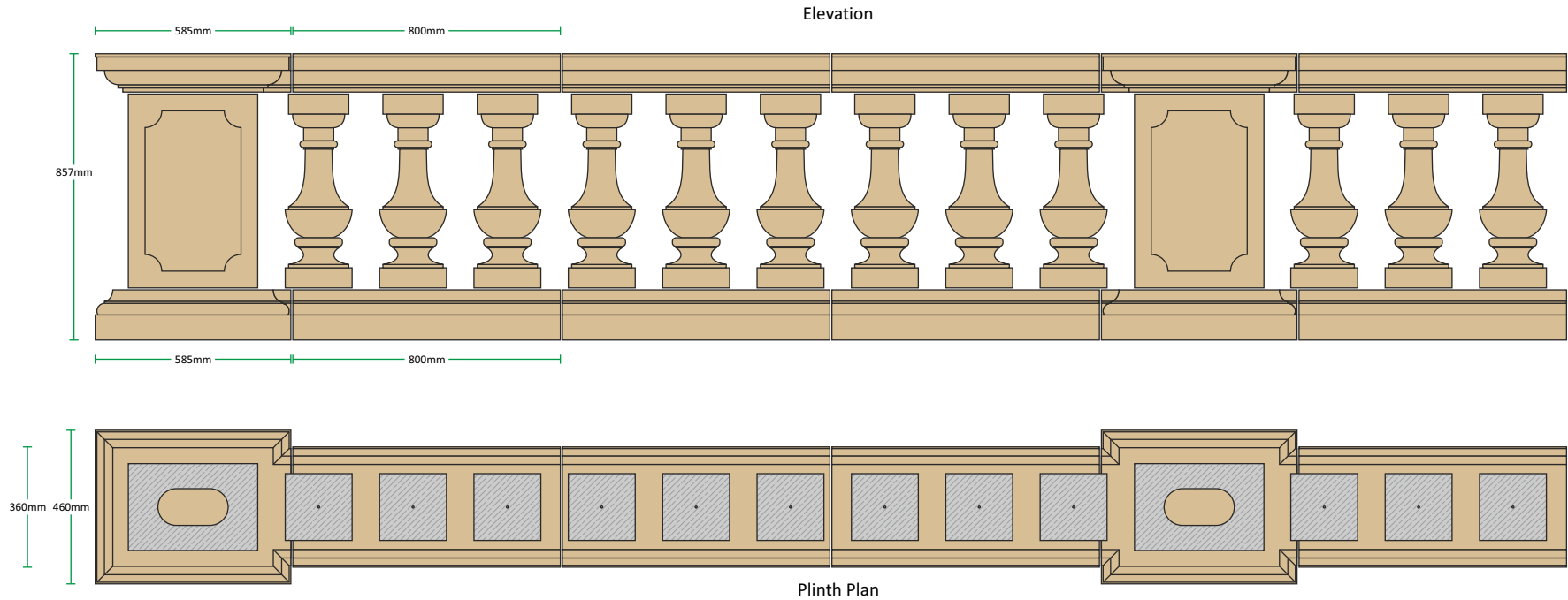
Section



All our balustrade styles feature an optional 135° Pier, please call a member of our technical team with your requirements.

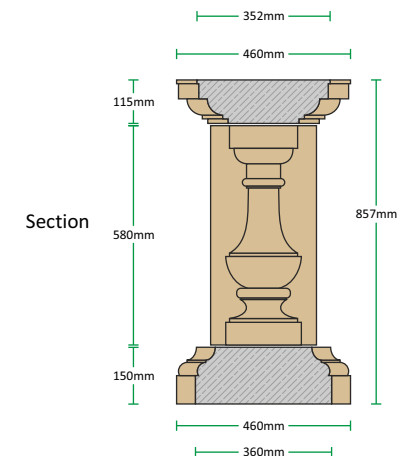
Style 13 Balustrade

Margam Baluster combined with the Regency Rail and Plinth with Panelled Piers.



'Style 13' Balustrade		Height	Width	Length	Weight
Description	Code	(mm)	(mm)	(mm)	(Kg)
Margam baluster	BS15A	580	200	200	33
Margam baluster - Sloping*	BS15B	580	200	100	33
Regency Rail	BS2C	115	352	800	54
Regency Plinth	BS2D	150	360	800	72
Regency Pier Cap - End	BS2E	115	585	460	58
Regency Pier Cap - Intermediate	BS2F	115	585	460	58
Regency Pier Cap - Corner	BS2G	115	585	585	71
Regency Pier Plinth - End	BS2H	150	585	460	76
Regency Pier Plinth - Intermediate	BS2I	150	585	460	76
Regency Pier Plinth - Corner	BS2J	150	585	585	92
Regency Pier Shaft - Panelled	BS2L/580	580	387	260	107
Regency Pier Shaft - Panelled - Corner	BS2LC/580	580	387	387	99

* The Sloping Margam baluster can be made to any angle, please specify the angle required at time of ordering

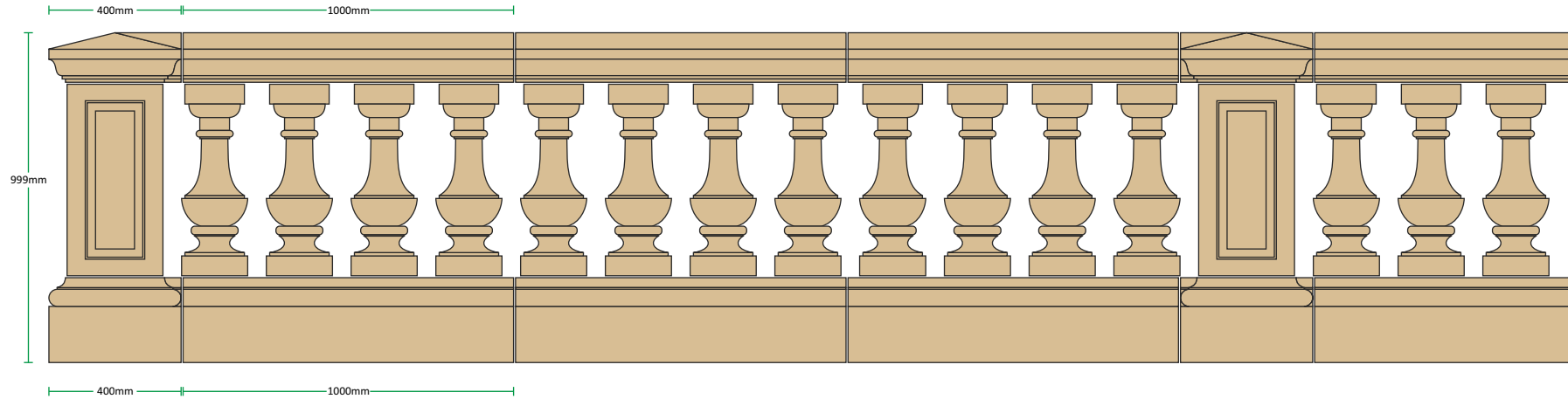


All our balustrade styles feature an optional 135° Pier, please call a member of our technical team with your requirements.

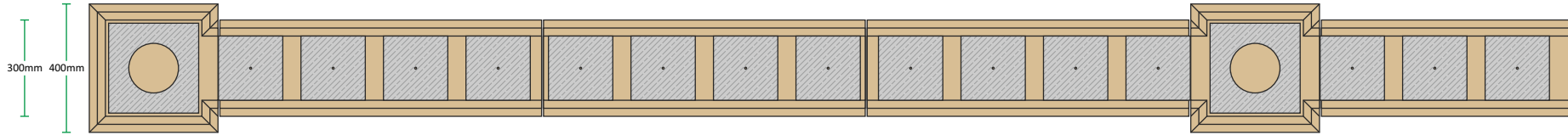
Style 14 Balustrade

Margam Baluster combined with the Vyne Rail and Plinth with Decorated Piers.

Elevation



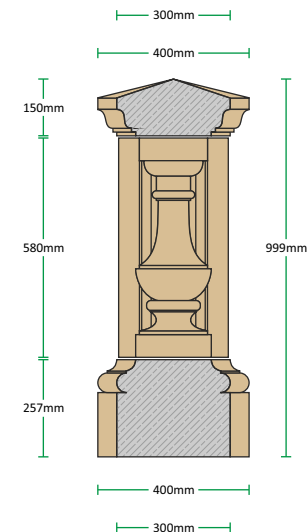
Plinth Plan



'Style 14' Balustrade		Height	Width	Length	Weight
Description	Code	(mm)	(mm)	(mm)	(Kg)
Margam baluster	BS15A	580	200	200	33
Margam baluster - Sloping*	BS15B	580	200	100	33
Vyne Rail	BS12C	150	300	1000	71
Vyne Plinth	BS12D	257	300	1000	113
Vyne Pier Cap - End	BS12E	150	400	400	32
Vyne Pier Cap - Intermediate	BS12F	150	400	400	32
Vyne Pier Cap - Corner	BS12G	150	400	400	32
Vyne Pier Plinth - End	BS12H	257	400	400	60
Vyne Pier Plinth - Intermediate	BS12I	257	400	400	60
Vyne Pier Plinth - Corner	BS12J	257	400	400	60
Vyne Panelled Pier Shaft	BS12L/580	580	280	280	71

* The Sloping Margam baluster can be made to any angle, please specify the angle required at time of ordering

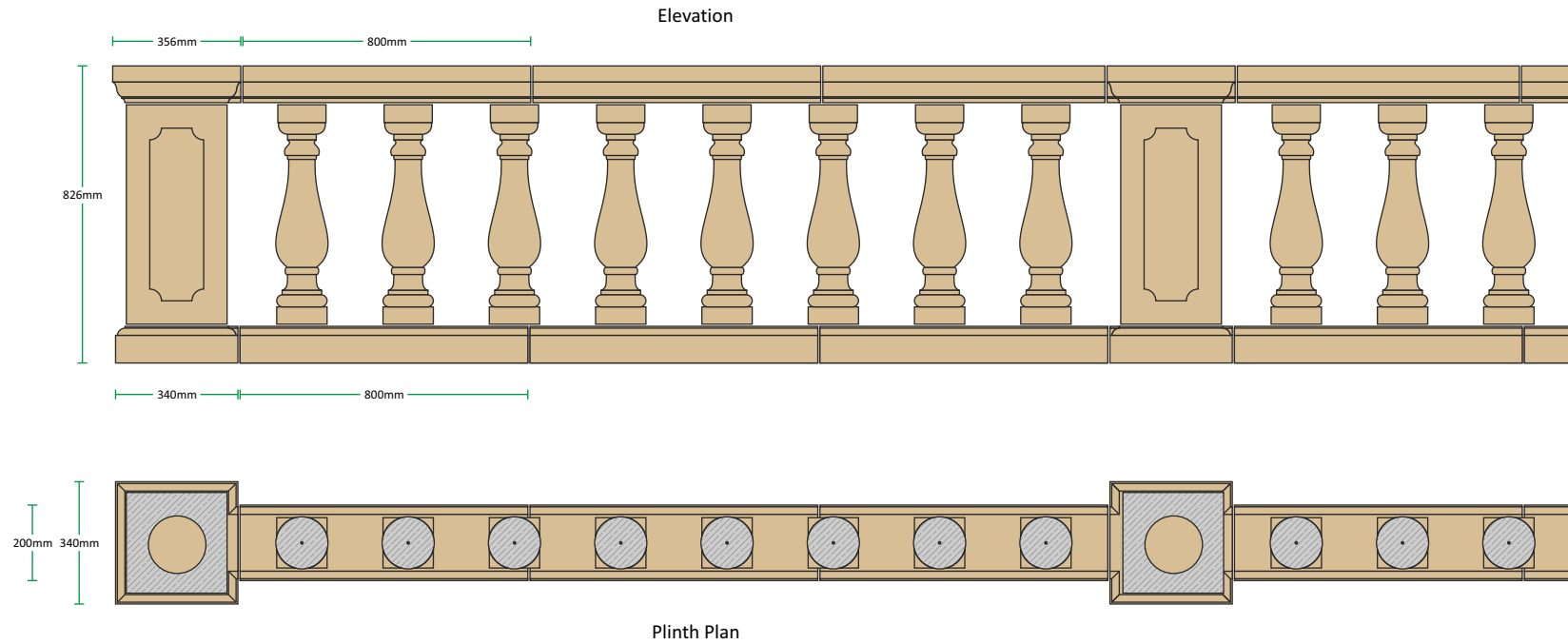
Section



All our balustrade styles feature an optional 135° Pier, please call a member of our technical team with your requirements.

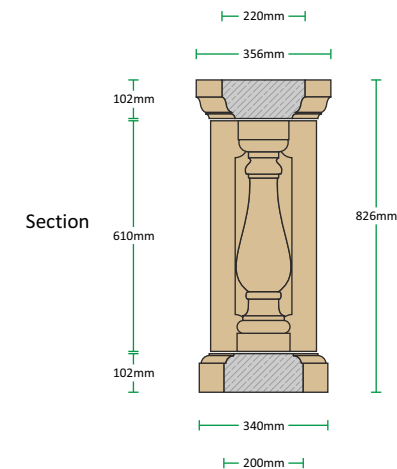
Style 18 Balustrade

Kensington Baluster combined with the Kensington Rail and Plinth with Panelled Piers.



'Style 18' Balustrade		Height	Width	Length	Weight
Description	Code	(mm)	(mm)	(mm)	(Kg)
Kensington baluster	BS7A	610	140	140	17
Kensington baluster - Sloping*	BS7B	610	140	140	17
Kensington Rail	BS7C	102	220	800	32
Kensington Plinth	BS7D	102	200	800	31
Kensington Pier Cap - End	BS7E	102	356	356	24
Kensington Pier Cap - Intermediate	BS7F	102	356	356	24
Kensington Pier Cap - Corner	BS7G	102	356	356	24
Kensington Pier Plinth - End	BS7H	102	340	340	22
Kensington Pier Plinth - Intermediate	BS7I	102	340	340	22
Kensington Pier Plinth - Corner	BS7J	102	340	340	22
Kensington Panelled Pier Shaft	BS7L	610	280	280	75

* The Sloping Kensington baluster can be made to any angle, please specify the angle required at time of ordering

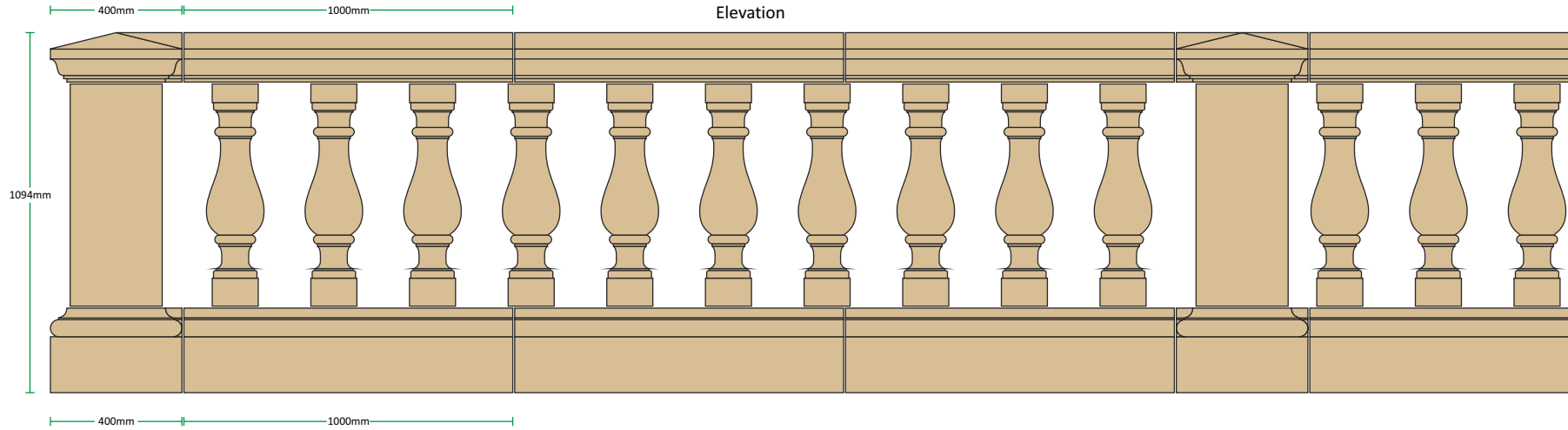


All our balustrade styles feature an optional 135° Pier, please call a member of our technical team with your requirements.

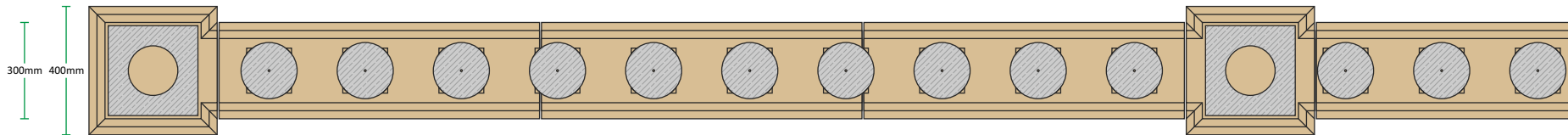
Style 20 Balustrade

Oxford Baluster combined with the Vyne Rail and Plinth with Decorated Piers.

Elevation



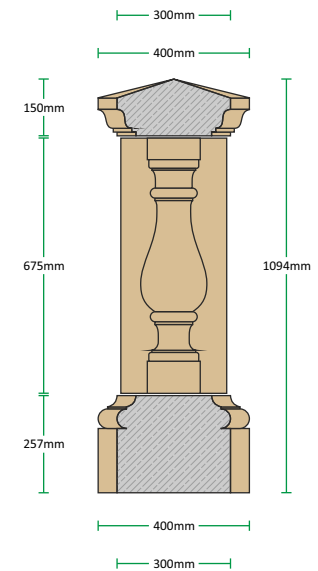
Plinth Plan



'Style 20' Balustrade		Height	Width	Length	Weight
Description	Code	(mm)	(mm)	(mm)	(Kg)
Oxford baluster	BS9A	675	140	140	26
Oxford baluster - Sloping*	BS9B	675	140	140	26
Vyne Rail	BS12C	150	300	1000	71
Vyne Plinth	BS12D	257	300	1000	113
Vyne Pier Cap - End	BS12E	150	400	400	32
Vyne Pier Cap - Intermediate	BS12F	150	400	400	32
Vyne Pier Cap - Corner	BS12G	150	400	400	32
Vyne Pier Plinth - End	BS12H	257	400	400	60
Vyne Pier Plinth - Intermediate	BS12I	257	400	400	60
Vyne Pier Plinth - Corner	BS12J	257	400	400	60
Vyne Plain Pier Shaft	BS12K/675	675	280	280	83

* The Sloping Oxford baluster can be made to any angle, please specify the angle required at time of ordering

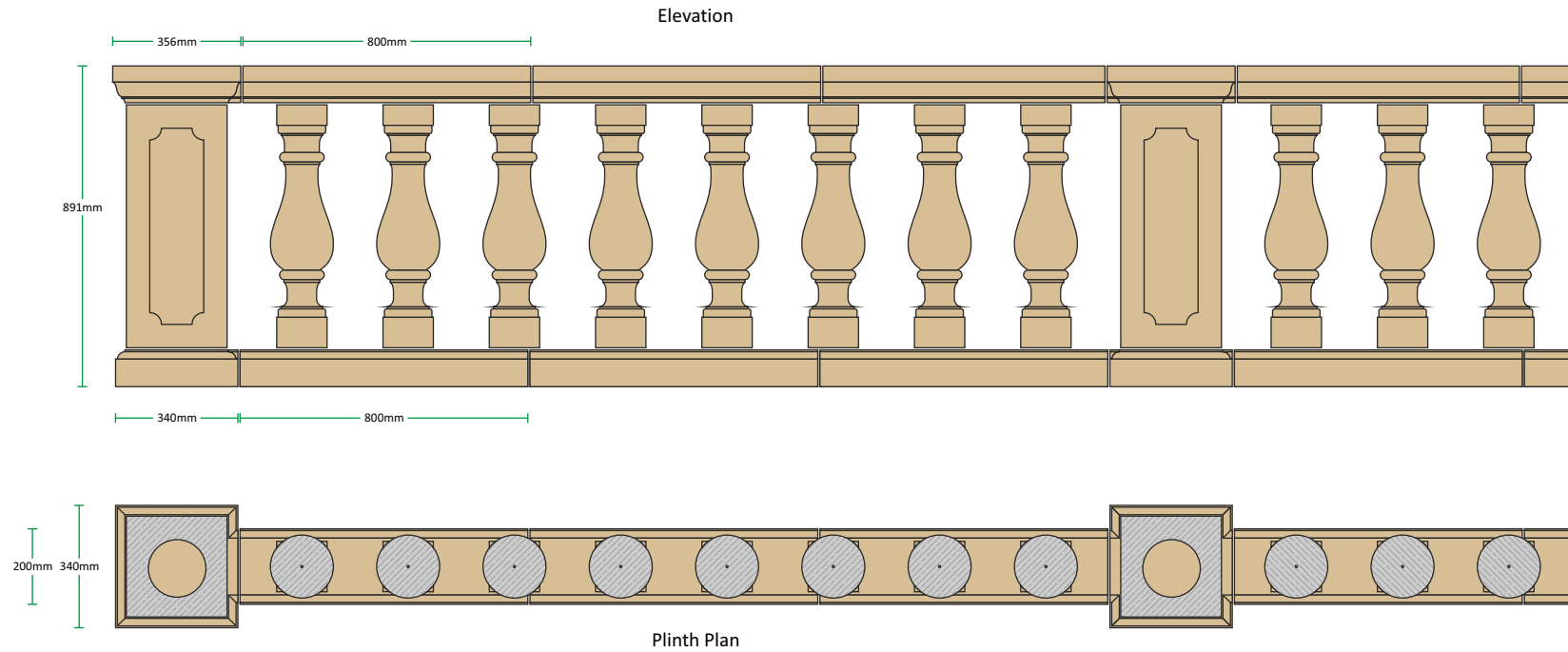
Section



All our balustrade styles feature an optional 135° Pier, please call a member of our technical team with your requirements.

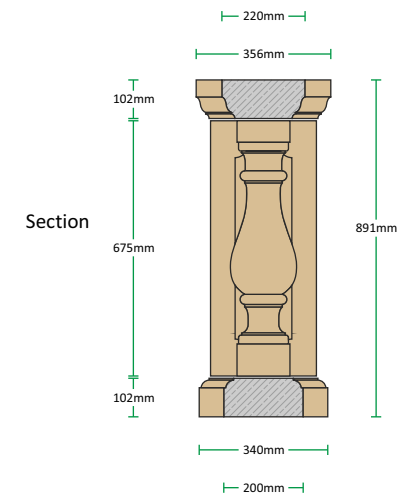
Style 21 Balustrade

Oxford Baluster combined with the Kensington Rail and Plinth with Panelled Piers.



'Style 21' Balustrade		Height	Width	Length	Weight
Description	Code	(mm)	(mm)	(mm)	(Kg)
Oxford baluster	BS9A	675	140	140	26
Oxford baluster - Sloping*	BS9B	675	140	140	26
Kensington Rail	BS7C	102	220	800	32
Kensington Plinth	BS7D	102	200	800	31
Kensington Pier Cap - End	BS7E	102	356	356	24
Kensington Pier Cap - Intermediate	BS7F	102	356	356	24
Kensington Pier Cap - Corner	BS7G	102	356	356	24
Kensington Pier Plinth - End	BS7H	102	340	340	22
Kensington Pier Plinth - Intermediate	BS7I	102	340	340	22
Kensington Pier Plinth - Corner	BS7J	102	340	340	22
Kensington Panelled Pier Shaft	BS7L/675	675	280	280	83

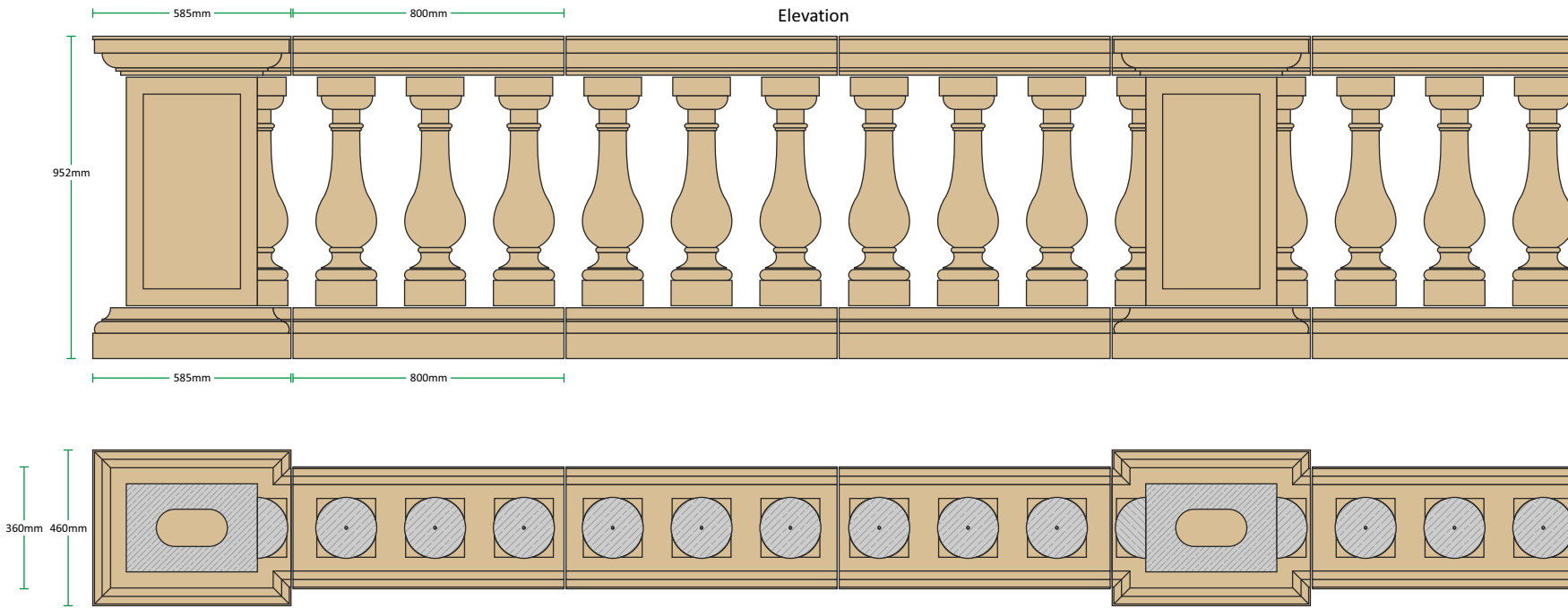
* The Sloping Oxford baluster can be made to any angle, please specify the angle required at time of ordering



All our balustrade styles feature an optional 135° Pier, please call a member of our technical team with your requirements.

Style 22 Balustrade

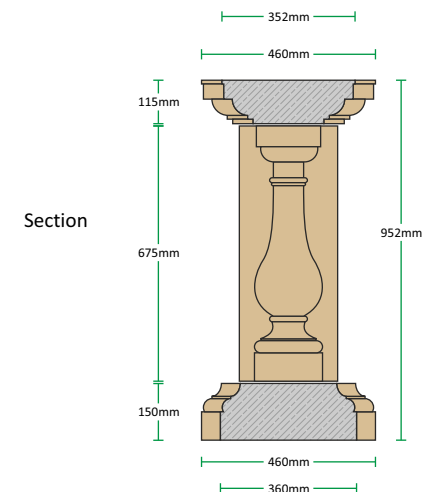
Vyne Baluster combined with the Regency Rail and Plinth with Panelled Piers.



Plinth Plan

'Style 22' Balustrade		Height	Width	Length	Weight
Description	Code	(mm)	(mm)	(mm)	(Kg)
Vyne baluster	BS12A	675	180	180	29
Vyne baluster - Half	BS12AH	675	180	90	15
Vyne baluster - Sloping*	BS12B	675	180	180	29
Regency Rail	BS2C	115	352	800	54
Regency Plinth	BS2D	150	360	800	72
Regency Pier Cap - End	BS2E	115	585	460	58
Regency Pier Cap - Intermediate	BS2F	115	585	460	58
Regency Pier Cap - Corner	BS2G	115	585	585	71
Regency Pier Plinth - End	BS2H	150	585	460	76
Regency Pier Plinth - Intermediate	BS2I	150	585	460	76
Regency Pier Plinth - Corner	BS2J	150	585	585	92
Regency Pier Shaft - Panelled - 675mm	BS2L/675	675	387	280	125
Regency Pier Shaft - Panelled - Corner - 675mm	BS2LC/675	675	387	387	185

* The Sloping Vyne baluster can be made to any angle, please specify the angle required at time of ordering

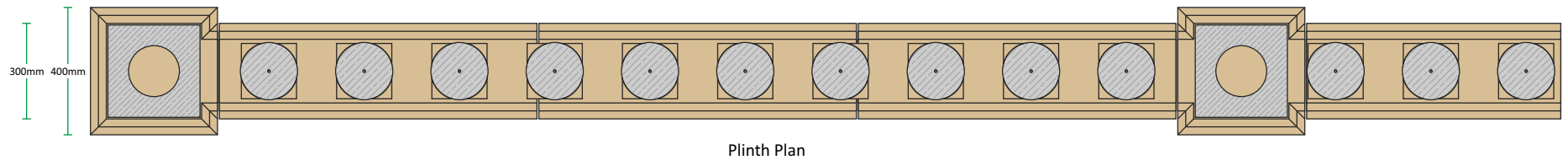
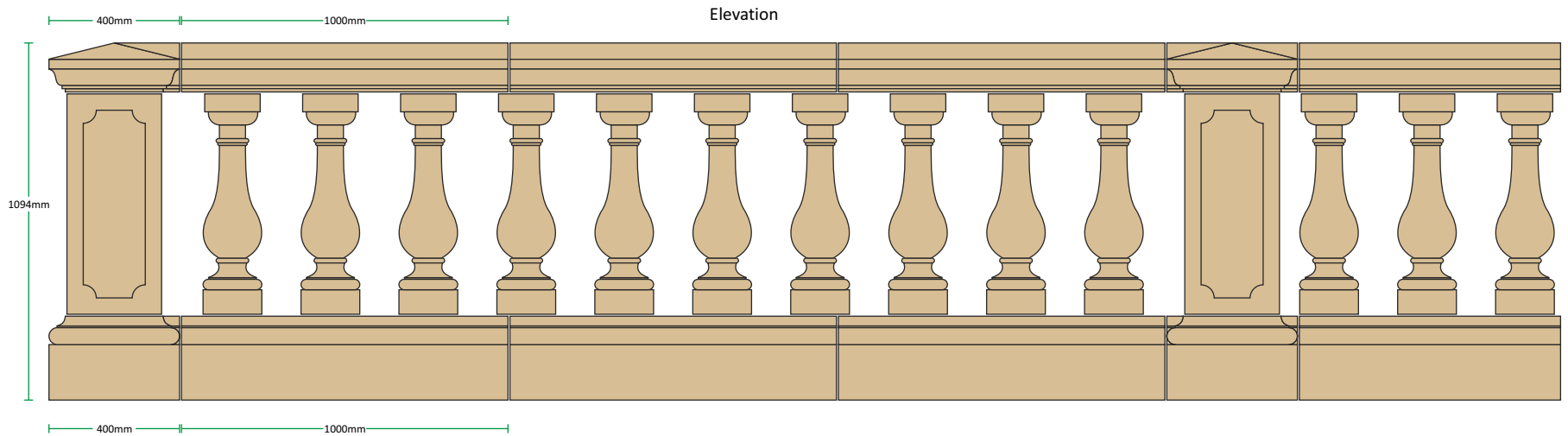


Section

All our balustrade styles feature an optional 135° Pier, please call a member of our technical team with your requirements.

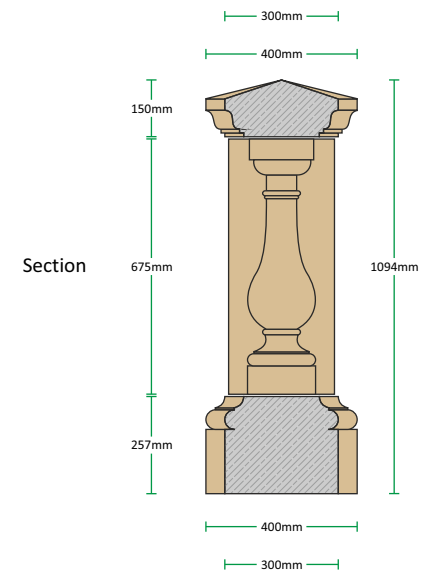
Style 23 Balustrade

Vyne Baluster combined with the Vyne Rail and Plinth.



'Style 23' Balustrade		Height	Width	Length	Weight
Description	Code	(mm)	(mm)	(mm)	(Kg)
Vyne baluster	BS12A	675	180	180	29
Vyne baluster - Sloping*	BS12B	675	180	180	29
Vyne Rail	BS12C	150	300	1000	71
Vyne Plinth	BS12D	257	300	1000	113
Vyne Pier Cap - End	BS12E	150	400	400	32
Vyne Pier Cap - Intermediate	BS12F	150	400	400	32
Vyne Pier Cap - Corner	BS12G	150	400	400	32
Vyne Pier Plinth - End	BS12H	257	400	400	60
Vyne Pier Plinth - Intermediate	BS12I	257	400	400	60
Vyne Pier Plinth - Corner	BS12J	257	400	400	60
Vyne Panelled Pier Shaft	BS12L	675	280	280	91

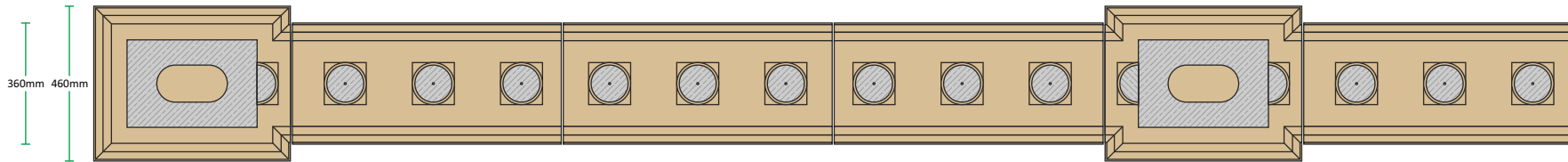
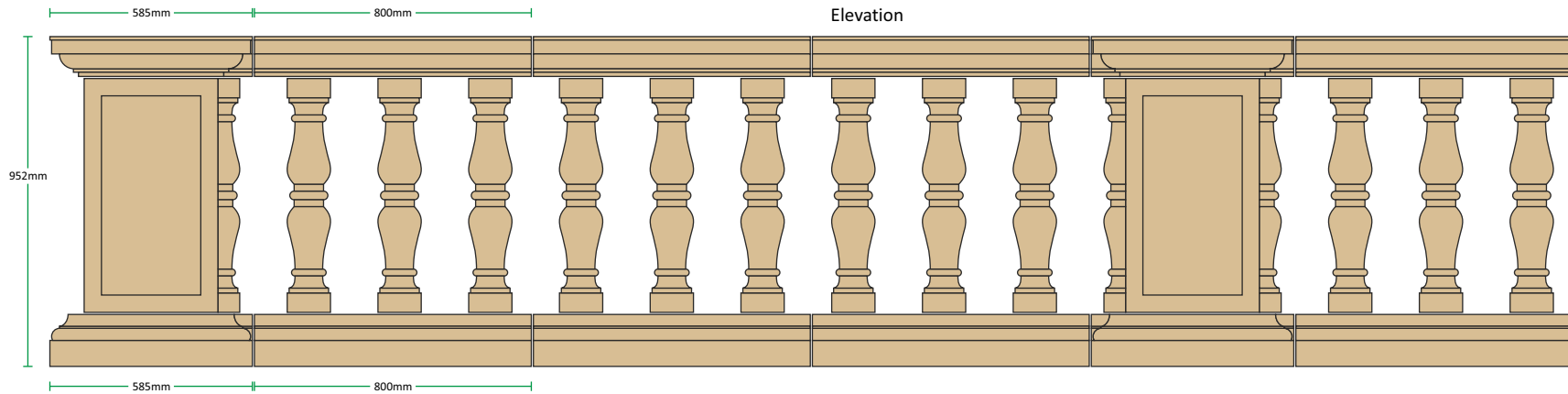
* The Sloping Vyne baluster can be made to any angle, please specify the angle required at time of ordering



All our balustrade styles feature an optional 135° Pier, please call a member of our technical team with your requirements.

Style 24 Balustrade

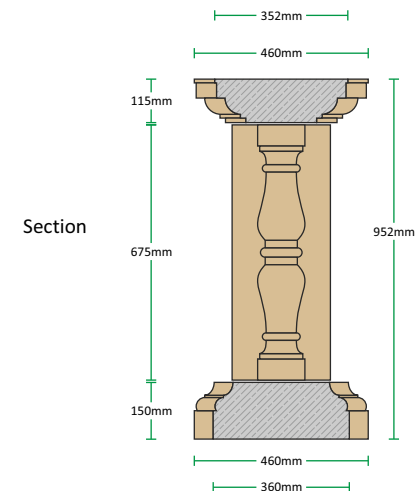
Cranborne Baluster combined with the Regency Rail and Plinth.



Plinth Plan

'Style 24' Balustrade		Height	Width	Length	Weight
Description	Code	(mm)	(mm)	(mm)	(Kg)
Cranborne baluster	BS13A	675	125	125	26
Cranborne baluster - Half	BS13AH	675	125	65	13
Cranborne baluster - Sloping*	BS13B	675	125	125	26
Regency Rail	BS2C	115	352	800	54
Regency Plinth	BS2D	150	360	800	72
Regency Pier Cap - End	BS2E	115	585	460	58
Regency Pier Cap - Intermediate	BS2F	115	585	460	58
Regency Pier Cap - Corner	BS2G	115	585	585	71
Regency Pier Plinth - End	BS2H	150	585	460	76
Regency Pier Plinth - Intermediate	BS2I	150	585	460	76
Regency Pier Plinth - Corner	BS2J	150	585	585	92
Regency Pier Shaft - Panelled - 675mm	BS2L/675	675	387	280	102
Regency Pier Shaft - Panelled - Corner - 675mm	BS2LC/675	675	387	387	185

* The Sloping Cranborne baluster can be made to any angle, please specify the angle required at time of ordering

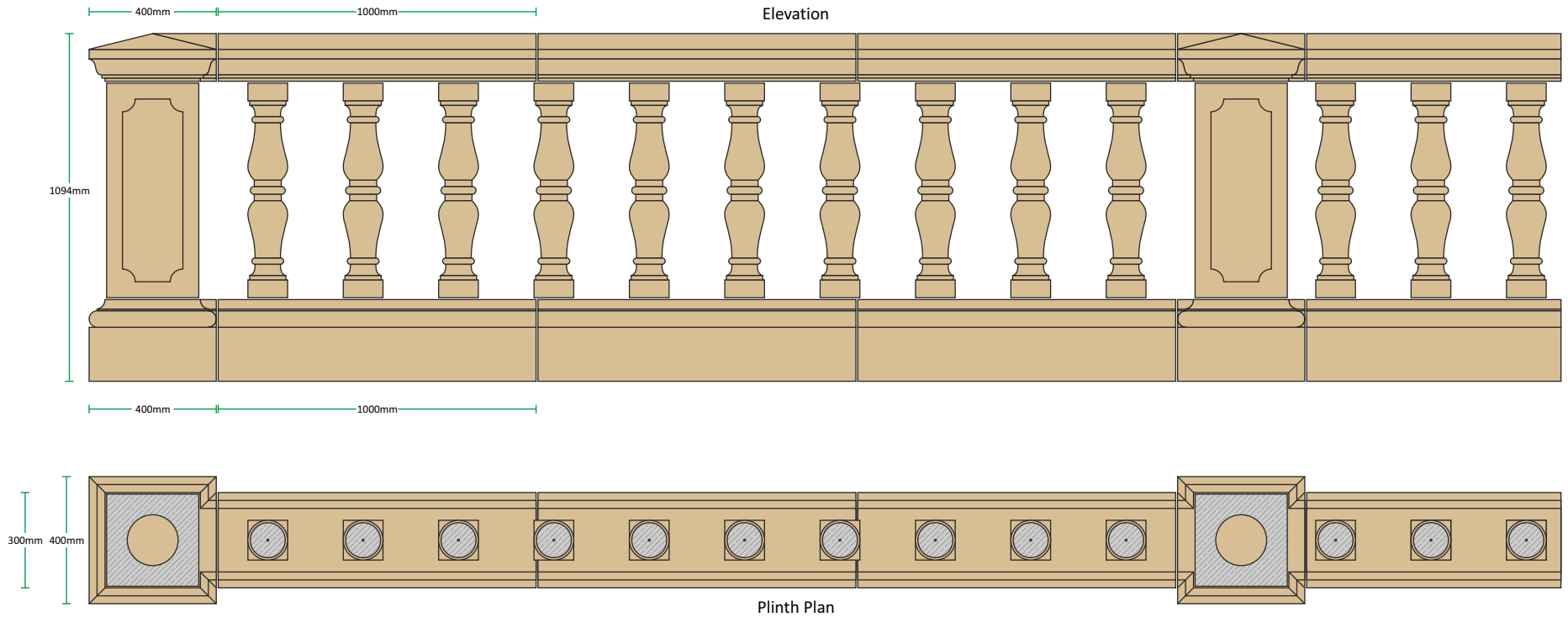


Section

All our balustrade styles feature an optional 135° Pier, please call a member of our technical team with your requirements.

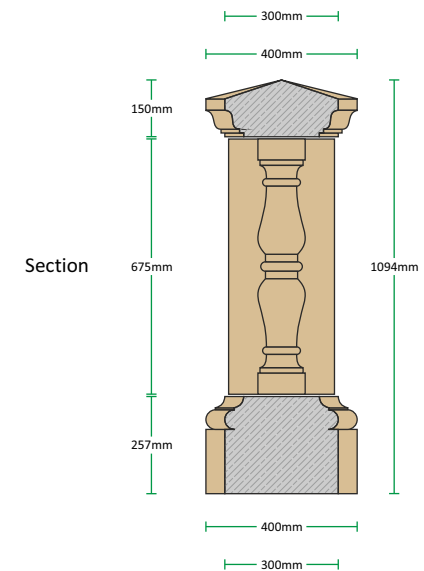
Style 25 Balustrade

Cranborne Baluster combined with the Vyne Rail and Plinth.



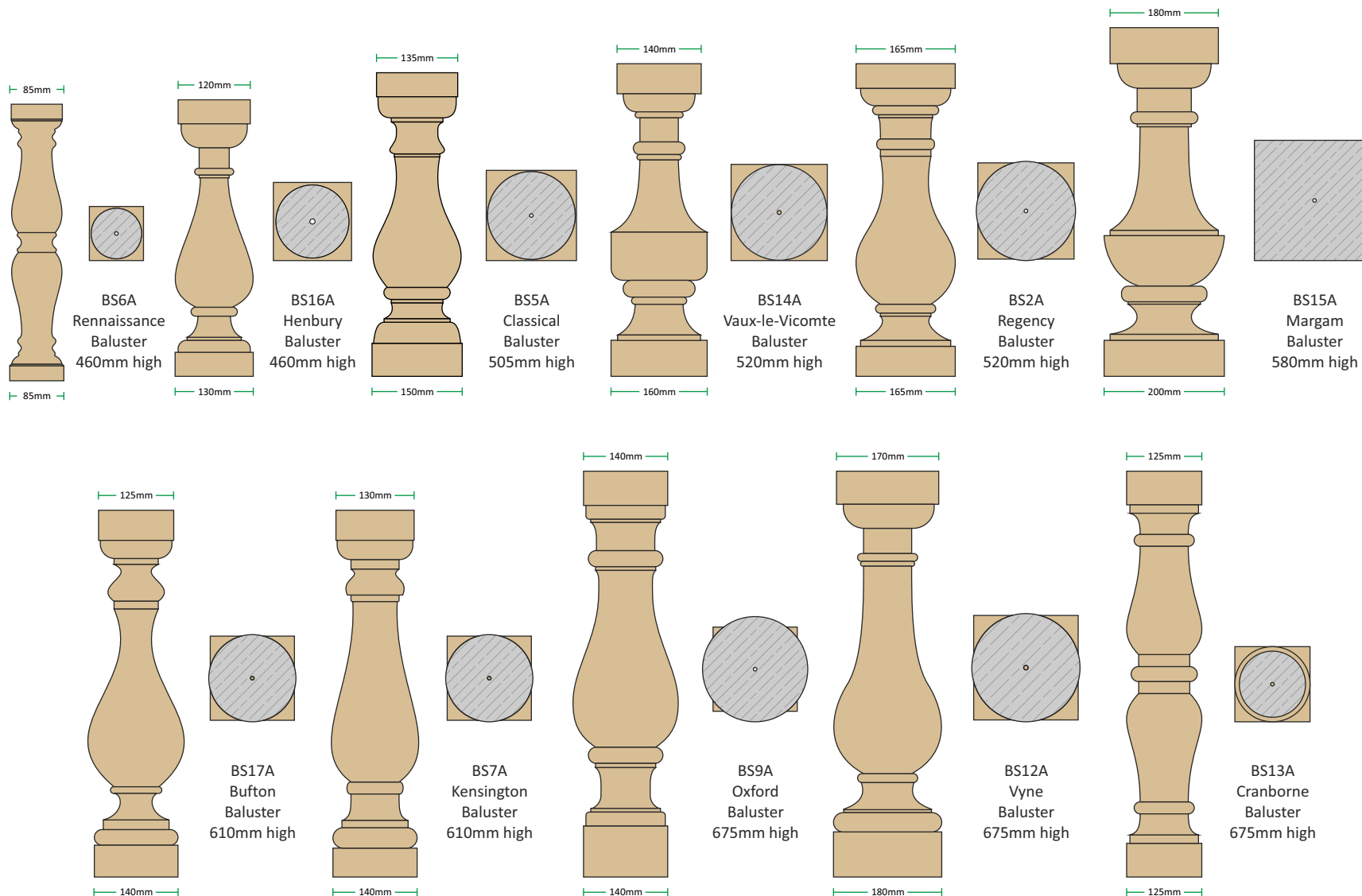
'Style 25' Balustrade		Height	Width	Length	Weight
Description	Code	(mm)	(mm)	(mm)	(Kg)
Cranborne baluster	BS13A	675	125	125	26
Cranborne baluster - Sloping*	BS13B	675	125	125	26
Vyne Rail	BS12C	150	300	1000	71
Vyne Plinth	BS12D	257	300	1000	113
Vyne Pier Cap - End	BS12E	150	400	400	32
Vyne Pier Cap - Intermediate	BS12F	150	400	400	32
Vyne Pier Cap - Corner	BS12G	150	400	400	32
Vyne Pier Plinth - End	BS12H	257	400	400	60
Vyne Pier Plinth - Intermediate	BS12I	257	400	400	60
Vyne Pier Plinth - Corner	BS12J	257	400	400	60
Vyne Panelled Pier Shaft	BS12L	675	280	280	91

* The Sloping Cranborne baluster can be made to any angle, please specify the angle required at time of ordering



Baluster Range

We have a large range of balusters of varying heights and designs to suit all applications.



All balusters have a 'cast in' 6mm Stainless Steel reinforcement bar protruding top and bottom suitable for fixing.

CAD Files

Drawings of all our Balustrades and Steps are available for downloading by visiting our website.

Balustrade	AutoCAD®	Sketchup®	Acrobat®		AutoCAD®	Sketchup®	Acrobat®
Style 2 Balustrade	✓	✓	✓	Style 20 Balustrade	✓	✓	✓
Style 3 Balustrade	✓	✓	✓	Style 21 Balustrade	✓	✓	✓
Style 4 Balustrade	✓	✓	✓	Style 22 Balustrade	✓	✓	✓
Style 5 Balustrade	✓	✓	✓	Style 23 Balustrade	✓	✓	✓
Style 6 Balustrade	✓	✓	✓	Style 24 Balustrade	✓	✓	✓
Style 7 Balustrade	✓	✓	✓	Style 25 Balustrade	✓	✓	✓
Style 9 Balustrade	✓	✓	✓	Baluster Range	✓	✓	✓
Style 10 Balustrade	✓	✓	✓	Steps			
Style 13 Balustrade	✓	✓	✓	Step Treads	✓	✓	✓
Style 14 Balustrade	✓	✓	✓	Radius Treads	✓	✓	✓
Style 18 Balustrade	✓	✓	✓				

File Viewers

If you do not have the software to view these files, free viewing software is available by visiting the relevant website below

AutoCAD®

Autodesk® DWG TrueView™ software is a free stand-alone DWG™ viewer. Visit their website to download <http://usa.autodesk.com/>

Sketchup®

Anyone can use the free Sketchup Viewer to view and print models created in Sketchup. Visit their website to download <http://sketchup.google.com/>

Acrobat Reader®

Use Adobe Reader to view, search, verify, print, and collaborate on Adobe PDF files. Visit their website to download <http://www.adobe.com>



Glossary and FAQ's

To help you and answer a few of your questions, we have compiled this handy list of commonly used terms and questions.

Glossary

Balustrade - (See illustration below)

Pier Cap - The Pier Cap continues the profile of the rail above the Pier Shaft, it is commonly the widest part of the balustrade.

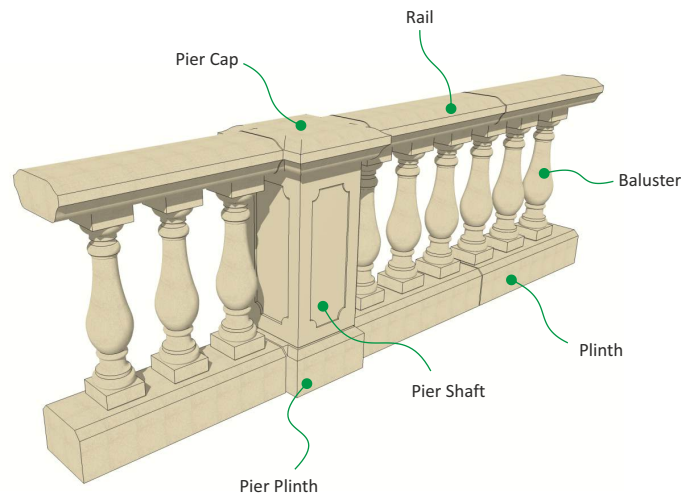
Pier Shaft - The Pier Shaft creates the structural support for the balustrade. These are generally mechanically fixed to the Pier Plinth and concrete filled.

Pier Plinth - As with the Pier Cap, the Pier Plinth continues the decorative element of the plinth below the Shaft and creates a firm base to support the Pier Shaft.

Rail - The decorative capping to the Balustrade.

Plinth - A decorative base that supports the Balustrade.

Baluster - Decorative feature that supports the rail.



Steps

Bullnose - The rounded edge on the front (nose) of the step.

Nose - The front edge of a step, usually rounded to protect from wear.

Tread - The flat part of a step that creates the landing on each individual step.

Riser - The back vertical section of each tread.

Going - The overall distance travelled horizontally by the steps.

Rise - The overall distance travelled vertically by the steps.

FAQ

Can you cut the Stone?

Our stone cuts and carves just as true sandstone. A consistent texture throughout ensures that our product cuts and carves smoothly.

Is your Balustrade available to suit a curved wall?

We can manufacture bespoke radii and curves to suit your project.

If you require curved in either plan or elevation, please contact a member of our technical team on 01258 472685.

Do you manufacture Balustrade to comply with building regulations?

Our Style 23 and 25 have an overall height of 1100mm and their balusters can be spaced to create less than 100mm voids.

Is the stone frostproof?

All our stone products are frost proof and are unaffected in normal conditions if installed correctly.

How does the stone age?

The stone ages in a similar way to true stone, this can be encouraged or slowed by using a number of readily available products after installation.

How do we fix the stone?

There are a range of fixings specially designed for cast stone. If required we can cast in fixings subject to your specification.

Are there installation guides?

Each of our products has a guide available. These are available from our technical department.

What colours are available?

The Cranborne Stone range of products are available in our six regional colours Portland White, Cotswold, Bath Yellow, Yorkstone, Devon Red and Shaftesbury Green.

Bespoke and colour matching is available as a special order.

Do I need an account to order with you?

We supply both the trade and private customers alike, you do not need an account with us to place an order. We do however request a deposit at the time of order.

Is pointing mix supplied?

Where required, we supply sufficient colour matched aggregate free of charge. We recommend that this is mixed at a ratio of 4:1 with Portland White Cement. Full pointing instructions are available upon request.

Address Cranborne Stone Ltd
Butts Pond
Sturminster Newton
Dorset
DT10 1AZ

Fax 01258 471251

Telephone 01258 472685

email info@cranbornestone.com

web www.cranbornestone.com