

---

# CRANBORNE STONE

# Architectural Masonry Catalogue

Butts Pond, Sturminster Newton, Dorset DT10 1AZ  
*Telephone* 01258 472685 *Fax* 01258 471251  
*email* [info@cranbornestone.com](mailto:info@cranbornestone.com) *web* [www.cranbornestone.com](http://www.cranbornestone.com)

Catalogue version 0.16

# Introduction

## Cranborne Stone

At Cranborne Stone we have been supporting property professionals with their building projects for over 30 years, utilising our extensive knowledge and skill in supply of cast stone architectural features.

Our team is made up of approachable estimators, creative designers, skilled craftsmen and a diligent delivery team as well as the essential back office support that ensures each project runs smoothly.

We are proud of our reputation for being easy to deal with and for having a flexible approach enabling us to match the individual demands of each project and look forward to demonstrating these to you.



Guides are available for each of our products.

These will help you choose the correct components and assist you in installation.

Our range of colours have been developed to reflect the regional variations of true stone.



Bath Yellow



Cotswold



Shaftesbury Green



York



Portland White



Italian Terracotta

## Developing a Property with Cranborne Stone

High quality cast stone features will enhance any property project from the restoration of a historic building to a contemporary style new build.

With Cranborne Stone you will not only benefit from the supply of a wide range of distinctive architectural features but also clear and responsive project support.

- **Wide range of styles & features**
- **Bespoke design service**
- **Choice of regional stone colours**
- **Colour matching service to blend the new with existing**
- **Named support for each project**
- **Interpretation of initial drawings**
- **Sound advice on managing cost whilst maintaining aesthetic consistency**
- **Provision of detailed drawings**
- **Restoration capability**
- **Fitting service**
- **Clear to read quotations**
- **Agreed delivery dates**
- **Supporting drawings in a range of formats including AutoCAD, PDF, and Sketchup**

This catalogue is designed to provide you with all the technical specification of our architectural range. If you would like to know more or would like assistance with a specific project please call or email one of our knowledgeable team who will be pleased to help.

# Contents

## Cills

One Brick Cills with Stools CL010	1.1
One Brick Cills without Stools CL012	1.2
Two Brick Cills with Stools CL015	1.3
Two Brick Cills without Stools CL016	1.4
Two Brick Cills with Stools CL020	1.5
Two Brick Cills without Stools CL022	1.6
Decorative Cills CL030	1.7

## Heads

Plain Head H010	2.1
Keystone Head H020	2.2
Chamfered Head H010C	2.3
Angled Head H030	2.4
Chamfered Head H040	2.5

## Window Surrounds

Window Surround WS60	3.1
Window Surround Style 3	3.2
Window Surround Style 4 & 5	3.3
Style 1 Window Surround	3.4
Style 2 Window Surround	3.5
Circular Window Surrounds WSC100	3.6
Circular Window Surrounds WSC140	3.7

## Architectural Features

Gothic Door Surround DS10	3.8
Hood Moulding	3.9
Corbels	4.1
Gable vents	4.2
Quoins	4.3
Chamfered Quoins	4.4
Plinth Course	4.5
String Course	4.6

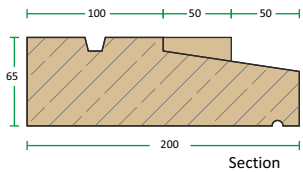
## Porticos, Columns, and Components

Example A Portico	5.1
Example B Portico	5.2
Example C Portico	5.3
Architrave	5.4
Cornice	5.5
Tuscan Columns CM20, CM30, and CM40	5.6
Tuscan Columns CM50, and CM90	5.7
Tuscan Columns C001, T150, and CM100	5.8
CAD and technical information	6.1
Glossary and FAQ	6.2

# One Brick Stooled Cill CL010

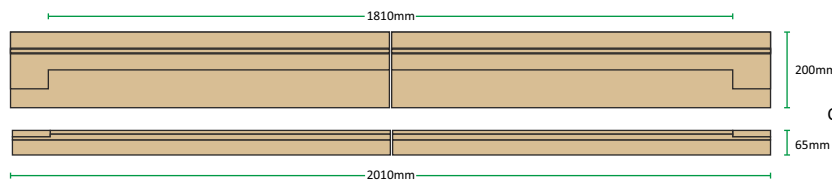
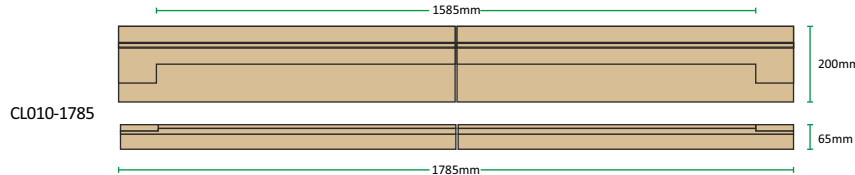
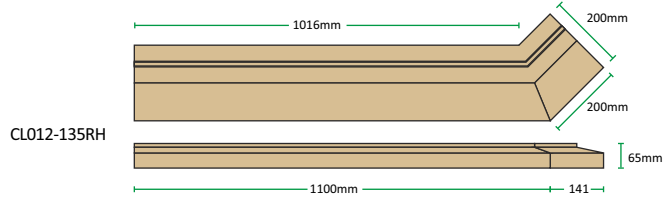
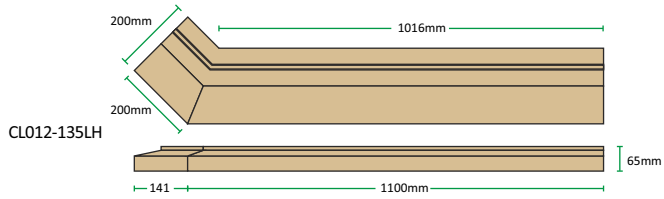
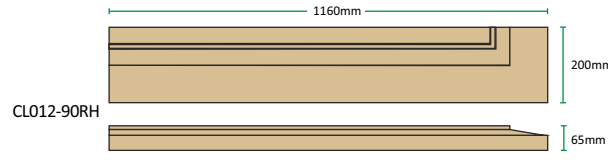
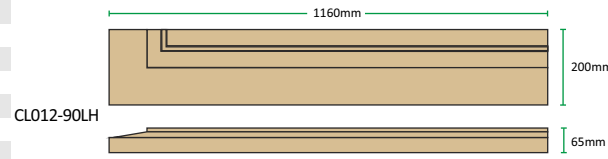
Our One Brick cills are designed to fit standard brick coursing with 100mm stools to fit standard English bond.

Code	Height (mm)	Width (mm)	Brick opening length (mm)	Overall length (mm)	Weight (Kg)	No. of sections
CL010-660	65	200	460	660	16	1
CL010-885	65	200	685	885	21	1
CL010-1110	65	200	910	1110	26	1
CL010-1335	65	200	1135	1335	32	2
CL010-1448	65	200	1248	1448	34	2
CL010-1560	65	200	1360	1560	37	2
CL010-1785	65	200	1585	1785	42	2
CL010-2010	65	200	1810	2010	47	2

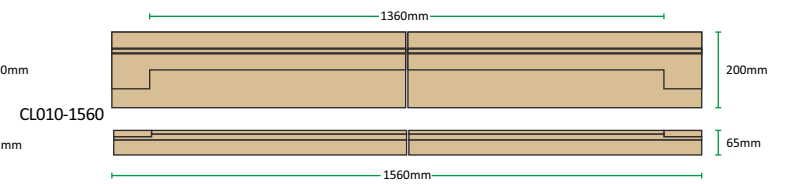
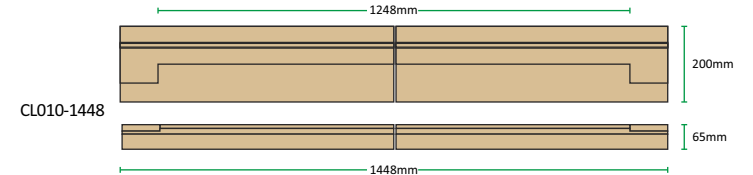
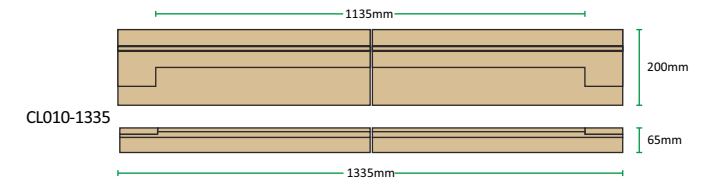
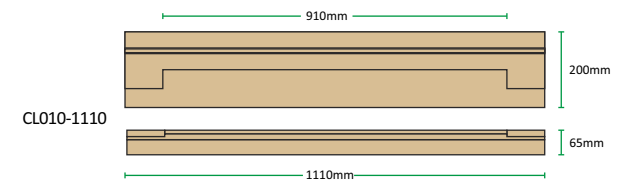
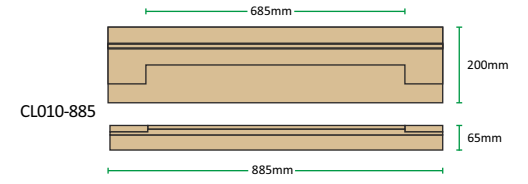
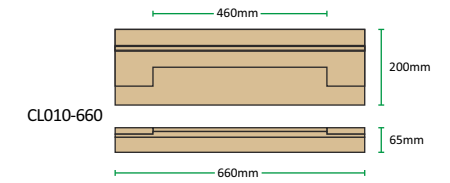


Typical installation detail

Our Cills are available to fit standard openings or a bespoke opening to your request. Internal Stainless steel reinforcing and lifting lugs can be cast in to order. If you require any further information, please call 01258 472685 and ask to speak to a member of our technical department. All joints shown 6mm



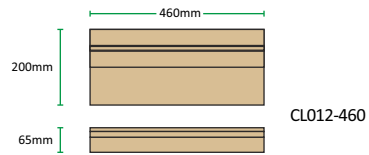
Plan and Elevation of our standard opening sizes



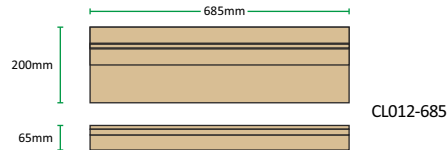
# One Brick Cill without Stools CL012

Our One Brick cills are designed to fit standard brick coursing.

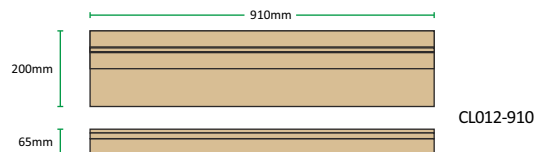
Plan and Elevation of our standard opening sizes



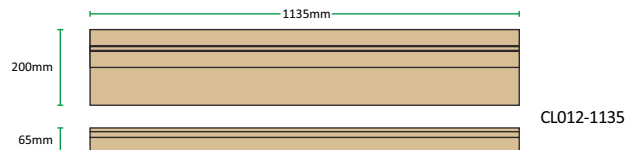
CL012-460



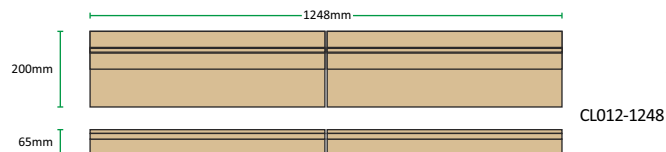
CL012-685



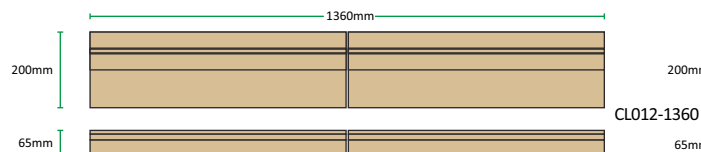
CL012-910



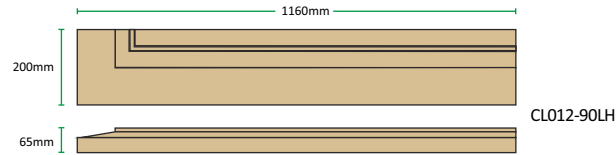
CL012-1135



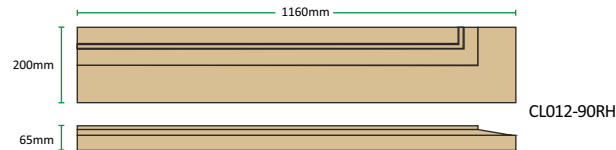
CL012-1248



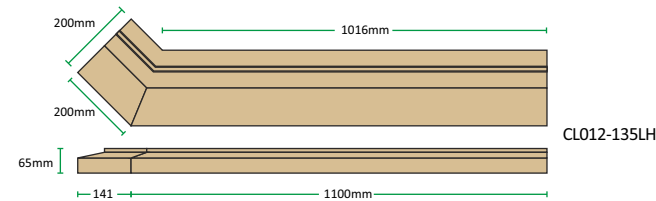
CL012-1360



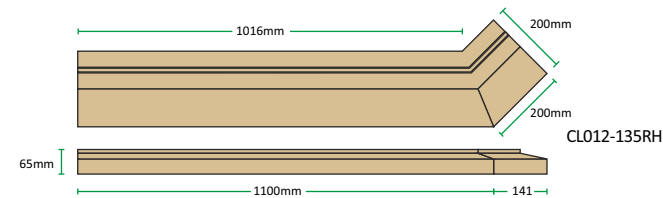
CL012-90LH



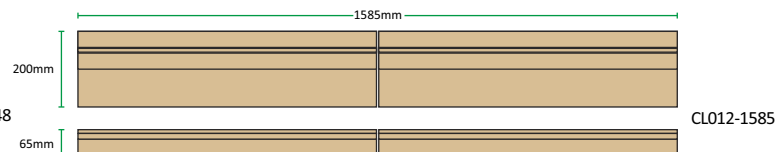
CL012-90RH



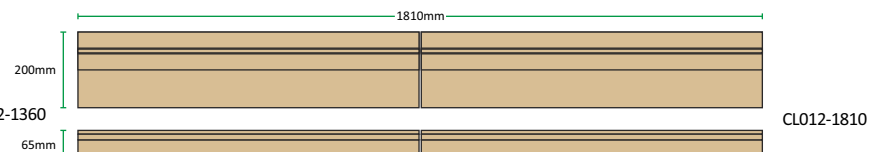
CL012-135LH



CL012-135RH

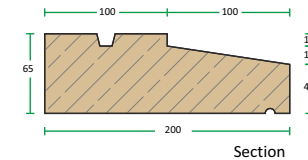


CL012-1585



CL012-1810

Code	Height (mm)	Width (mm)	Brick opening length (mm)	Overall length (mm)	Weight (Kg)	No. of sections
CL012-460	65	200	460	460	11	1
CL012-685	65	200	685	685	16	1
CL012-910	65	200	910	910	21	1
CL012-1135	65	200	1135	1135	27	1
CL012-1248	65	200	1248	1248	29	2
CL012-1360	65	200	1360	1360	32	2
CL012-1585	65	200	1585	1585	37	2
CL012-1810	65	200	1810	1810	42	2
CL012-90LH	65	200	N/A	1160	28	1
CL012-90RH	65	200	N/A	1160	28	1
CL012-135LH	65	200	N/A	1241	31	1
CL012-135RH	65	200	N/A	1241	31	1



Section



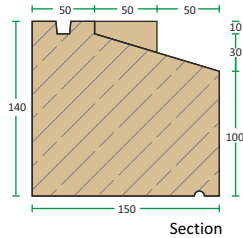
Typical installation detail

Our Cills are available to fit standard openings or a bespoke opening to your request. Internal Stainless steel reinforcing and lifting lugs can be cast in to order. If you require any further information, please call 01258 472685 and ask to speak to a member of our technical department. All joints shown 6mm

# Two Brick Stooled Cill CL015

Our CL015 Two Brick cills are designed to fit standard brick coursing without penetrating the cavity

Code	Height (mm)	Width opening (mm)	Brick length (mm)	Overall length (mm)	Weight (Kg)	No. of sections
CL015-660	140	150	460	660	26	1
CL015-885	140	150	685	885	36	1
CL015-1110	140	150	910	1110	44	1
CL015-1335	140	150	1135	1335	52	1
CL015-1448	140	150	1248	1448	57	2
CL015-1560	140	150	1360	1560	61	2
CL015-1785	140	150	1585	1785	70	2
CL015-2010	140	150	1810	2010	79	2

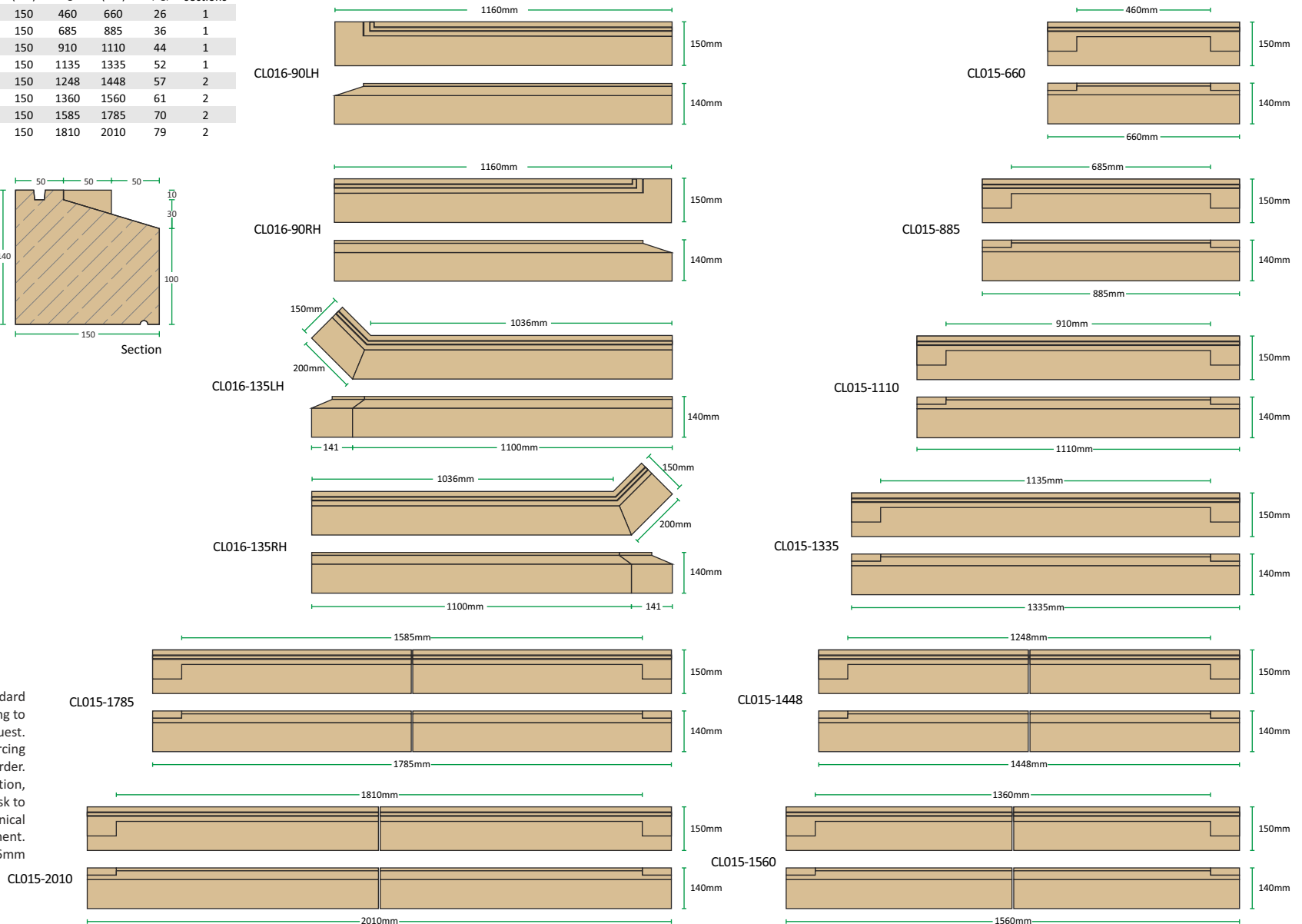


Typical installation detail

Our Cills are available to fit standard openings or a bespoke opening to your request.

Internal Stainless steel reinforcing and lifting lugs can be cast in to order. If you require any further information, please call 01258 472685 and ask to speak to a member of our technical department.

All joints shown 6mm

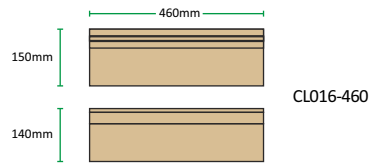




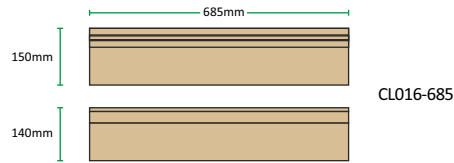
# Two Brick Cill without Stools CL016

Our CL016 Two Brick cills are designed to fit standard brick coursing without penetrating the cavity.

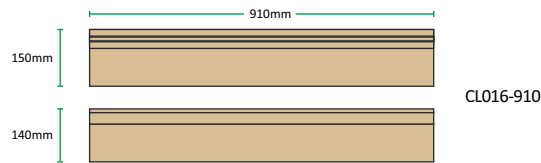
Plan and Elevation of our standard opening sizes



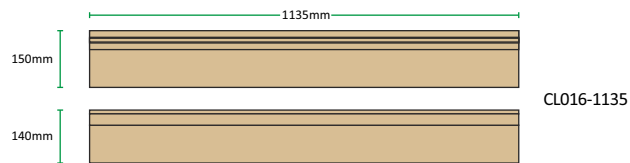
CL016-460



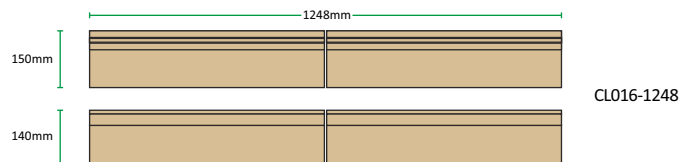
CL016-685



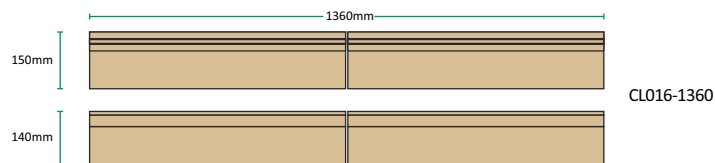
CL016-910



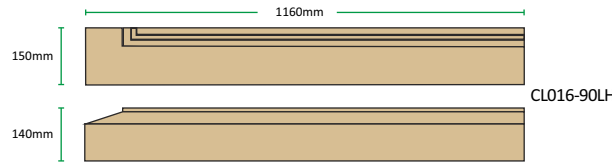
CL016-1135



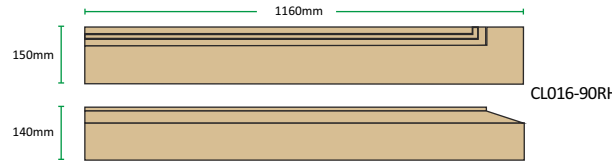
CL016-1248



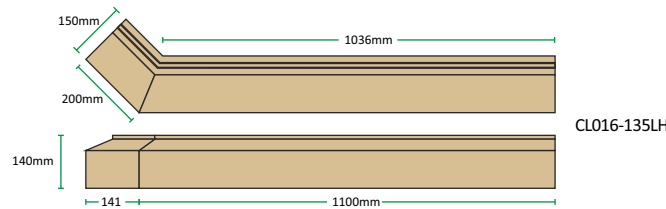
CL016-1360



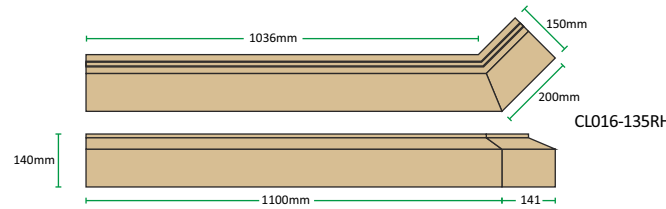
CL016-90LH



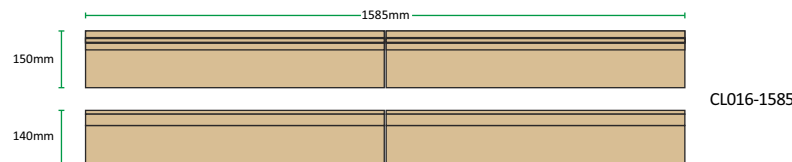
CL016-90RH



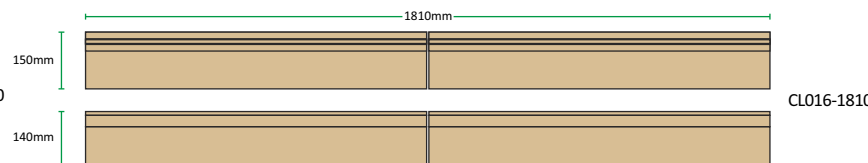
CL016-135LH



CL016-135RH

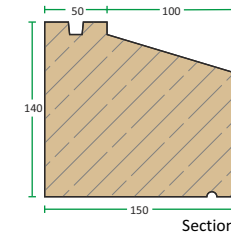


CL016-1585



CL016-1810

Code	Height (mm)	Width (mm)	Brick opening length (mm)	Overall length (mm)	Weight (Kg)	No. of sections
CL016-460	140	150	460	460	18	1
CL016-685	140	150	685	685	27	1
CL016-910	140	150	910	910	35	1
CL016-1135	140	150	1135	1135	44	1
CL016-1248	140	150	1248	1248	49	2
CL016-1360	140	150	1360	1360	53	2
CL016-1585	140	150	1585	1585	62	2
CL016-1810	140	150	1810	1810	71	2
CL016-90LH	140	150	N/A	1160	45	1
CL016-90RH	140	150	N/A	1160	45	1
CL016-135LH	140	150	N/A	1241	52	1
CL016-135RH	140	150	N/A	1241	52	1



Section



Typical installation detail

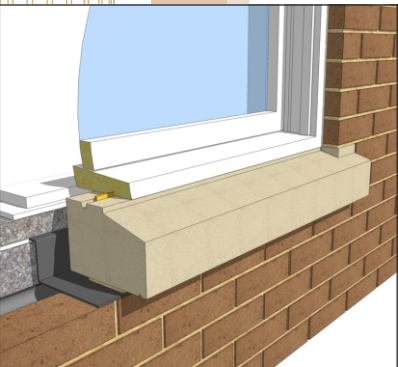
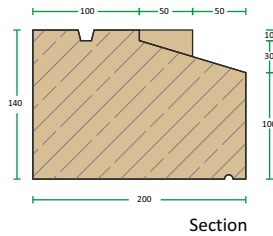
Our Cills are available to fit standard openings or a bespoke opening to your request. Internal Stainless steel reinforcing and lifting lugs can be cast in to order. If you require any further information, please call 01258 472685 and ask to speak to a member of our technical department  
All joints shown 6mm



# Two Brick Stooled Cill CL020

Our Two Brick cills are designed to fit standard brick coursing with 100mm stools to fit standard English bond.

Code	Height (mm)	Width opening (mm)	Brick length (mm)	Overall length (mm)	Weight (Kg)	No. of sections
CL020-660	140	200	460	660	36	1
CL020-885	140	200	685	885	50	1
CL020-1110	140	200	910	1110	60	1
CL020-1335	140	200	1135	1335	73	1
CL020-1448	140	200	1248	1448	79	1
CL020-1560	140	200	1360	1560	85	2
CL020-1785	140	200	1585	1785	97	2
CL020-2010	140	200	1810	2010	109	2

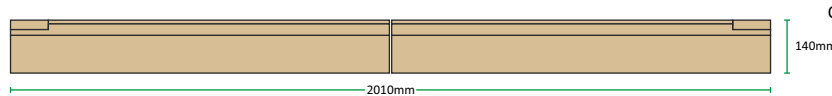
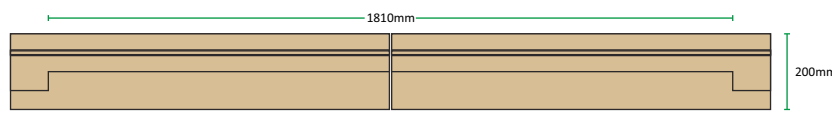
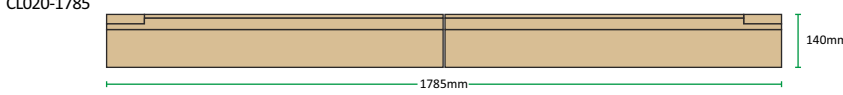
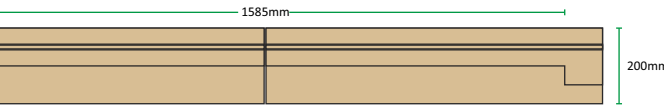
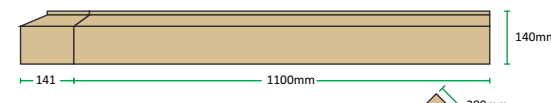
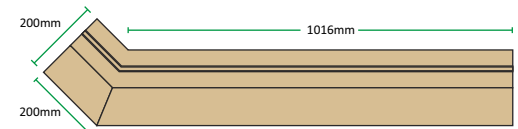
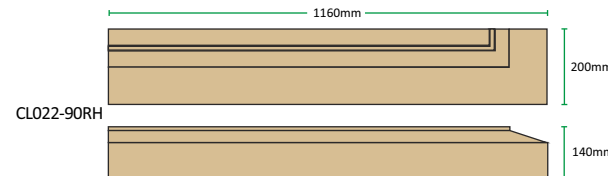
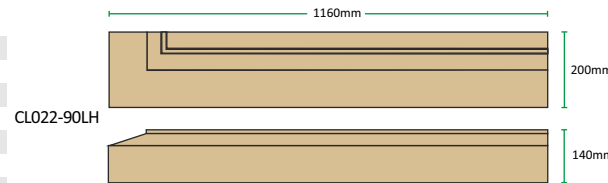


### Typical installation detail

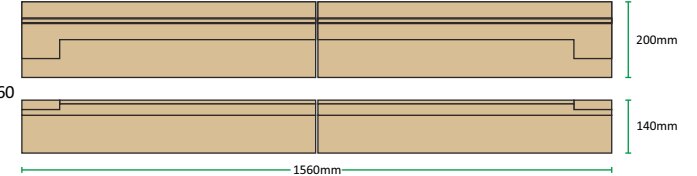
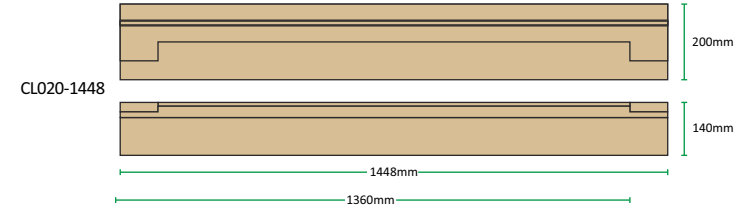
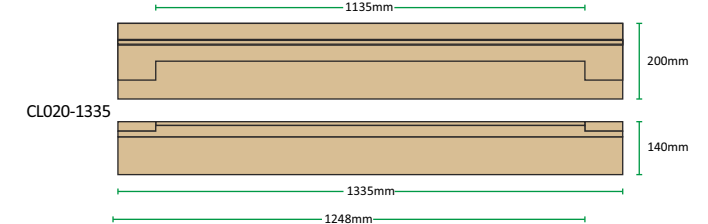
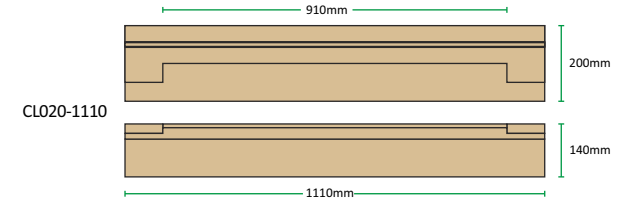
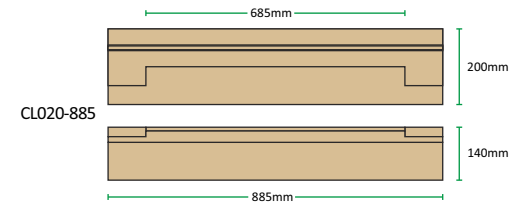
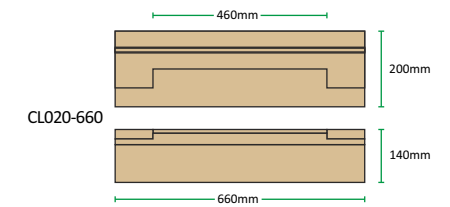
Our Cills are available to fit standard openings or a bespoke opening to your request.

Internal Stainless steel reinforcing and lifting lugs can be cast in to order. If you require any further information, please call 01258 472685 and ask to speak to a member of our technical department.

All joints shown 6mm



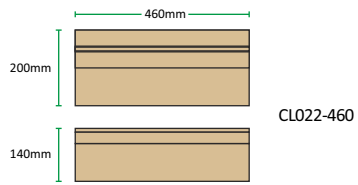
### Plan and Elevation of our standard opening sizes



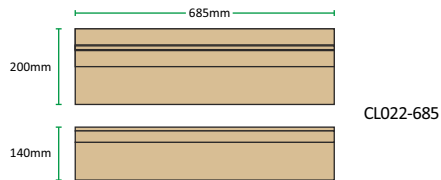
# Two Brick Cill without Stools CL022

Our Two Brick cills are designed to fit standard brick coursing.

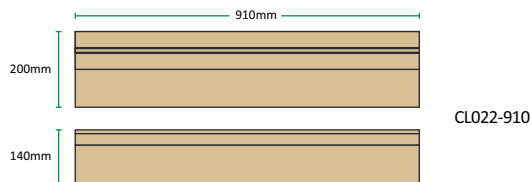
Plan and Elevation of our standard opening sizes



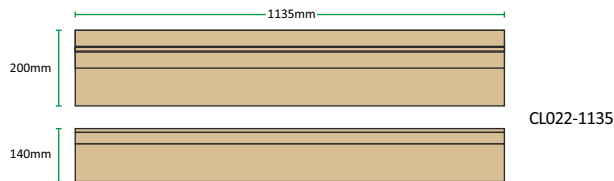
CL022-460



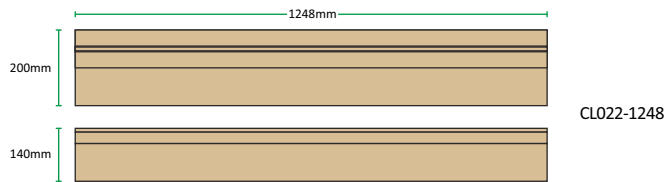
CL022-685



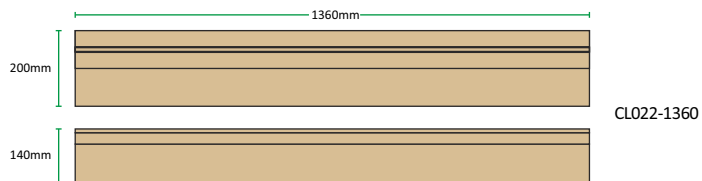
CL022-910



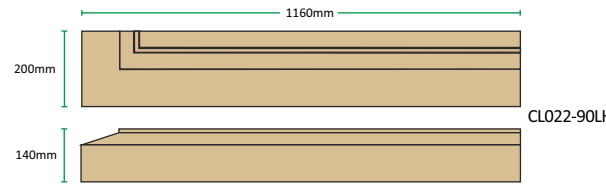
CL022-1135



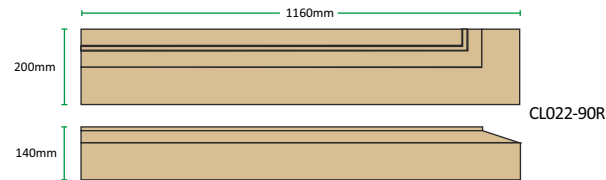
CL022-1248



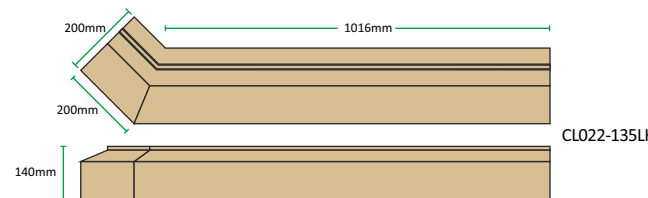
CL022-1360



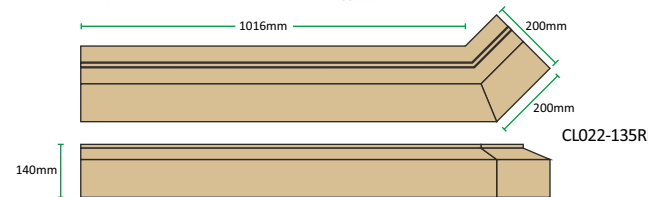
CL022-90LH



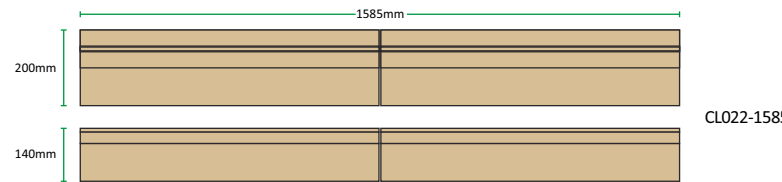
CL022-90RH



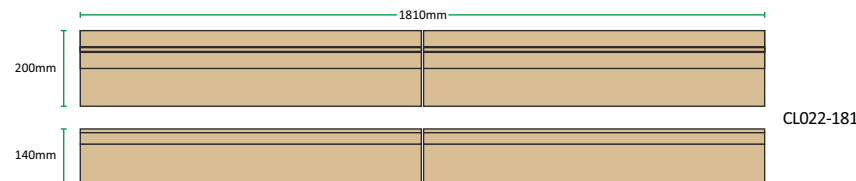
CL022-135LH



CL022-135RH

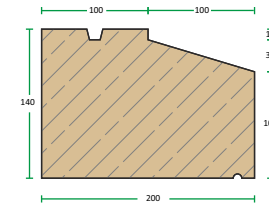


CL022-1585



CL022-1810

Code	Height (mm)	Width (mm)	Brick opening length (mm)	Overall length (mm)	Weight (Kg)	No. of sections
CL022-460	140	200	460	460	25	1
CL022-685	140	200	685	685	37	1
CL022-910	140	200	910	910	49	1
CL022-1135	140	200	1135	1135	61	1
CL022-1248	140	200	1248	1248	67	1
CL022-1360	140	200	1360	1360	74	1
CL022-1585	140	200	1585	1585	86	2
CL022-1810	140	200	1810	1810	98	2
CL022-90LH	140	200	N/A	1160	62	1
CL022-90RH	140	200	N/A	1160	62	1
CL022-135LH	140	200	N/A	1241	67	1
CL022-135RH	140	200	N/A	1241	67	1



Section

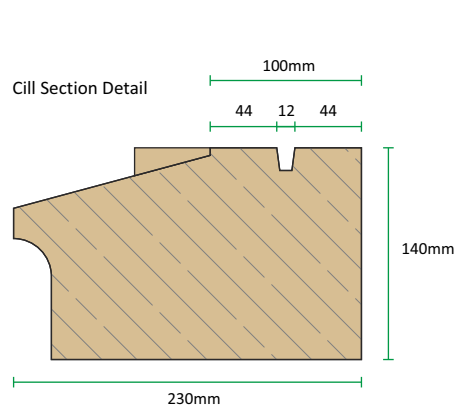


Typical installation detail

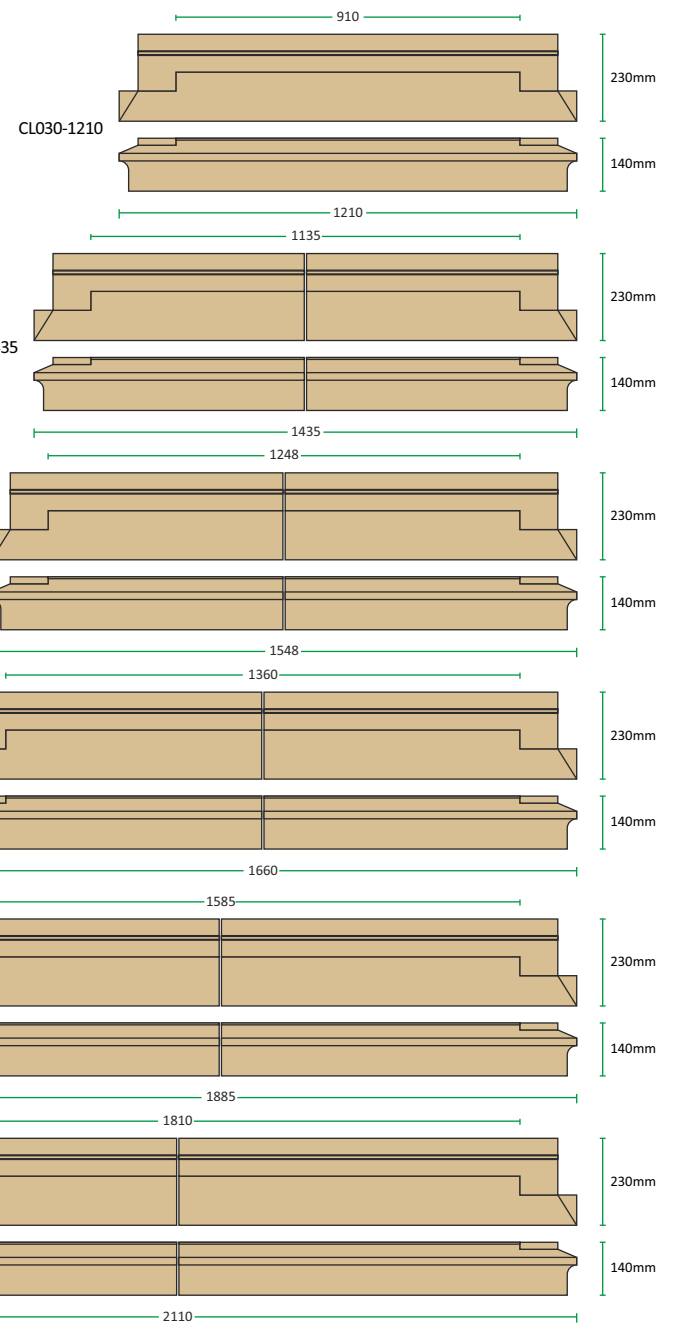
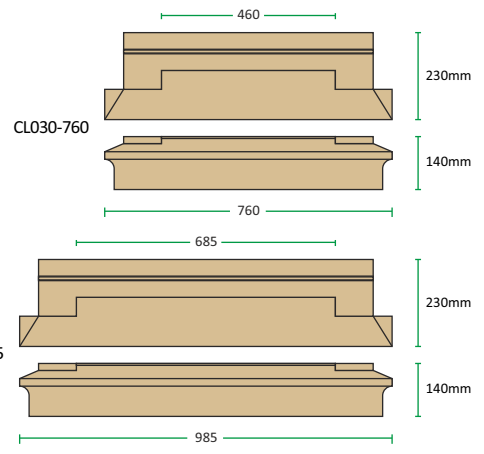
Our Cills are available to fit standard openings or a bespoke opening to your request. Internal Stainless steel reinforcing and lifting lugs can be cast in to order. If you require any further information, please call 01258 472685 and ask to speak to a member of our technical department. All joints shown 6mm

# Decorative Cill CL030

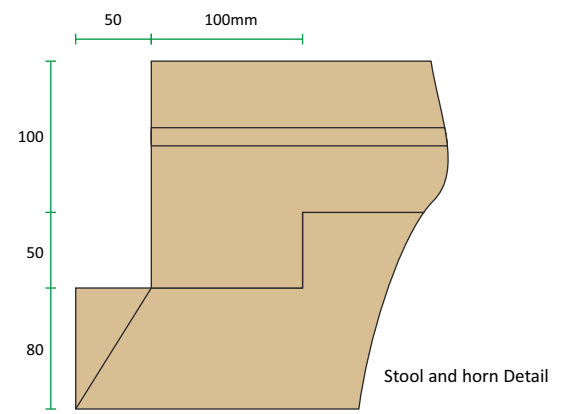
Our Decorative cills are designed to fit standard brick coursing with 100mm stools to fit standard English bond.



Plan and Elevation of our standard opening sizes



Typical installation detail



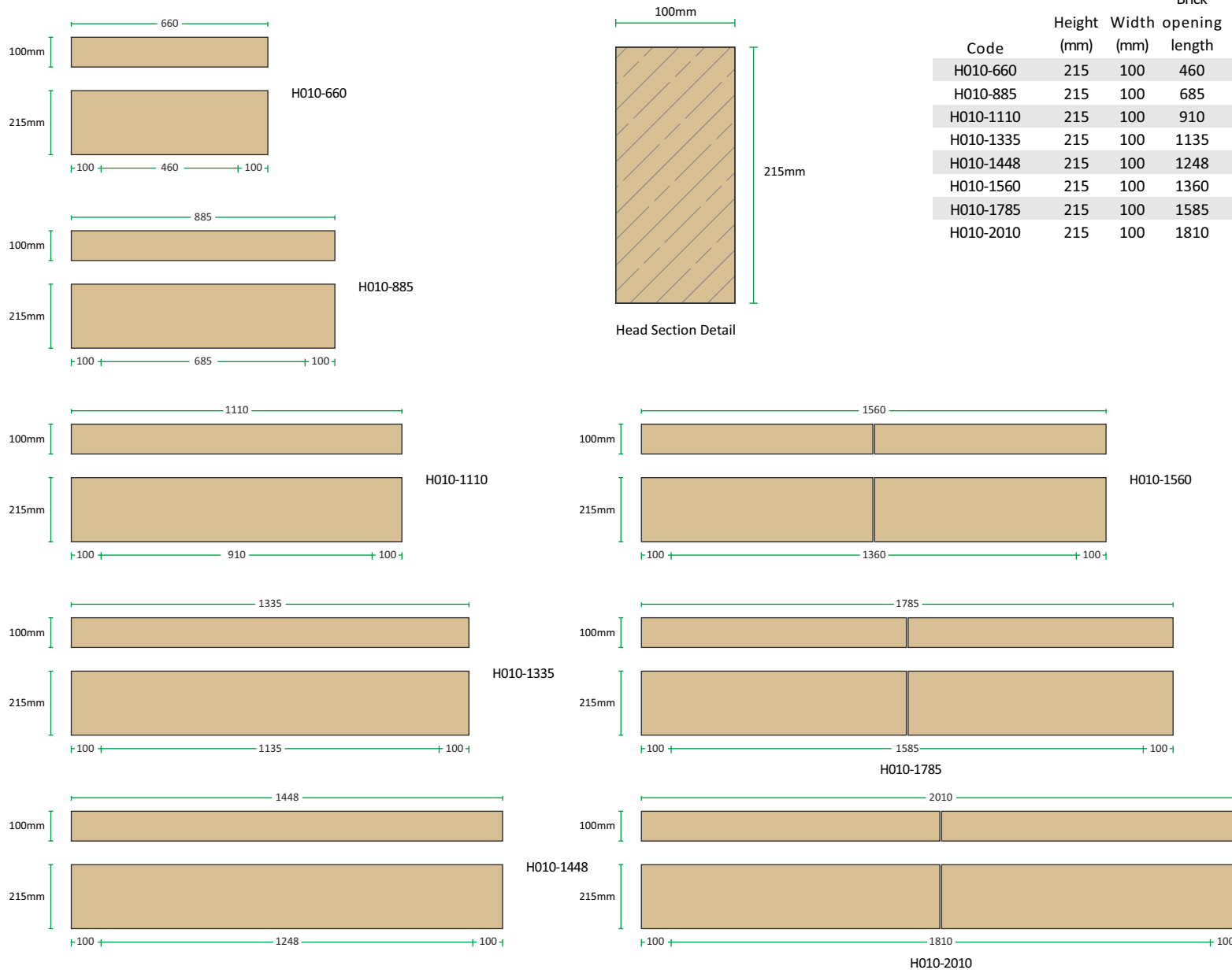
Our Cills are available to fit standard openings or a bespoke opening to your request. Internal Stainless steel reinforcing and lifting lugs can be cast in to order. If you require any further information, please call 01258 472685 and ask to speak to a member of our technical department. All joints shown 6mm

Code	Height (mm)	Width (mm)	Brick opening length (mm)	Overall length (mm)	Weight (Kg)	No. of sections
CL030-760	140	230	460	760	39	1
CL030-985	140	230	685	985	52	1
CL030-1210	140	230	910	1210	64	1
CL030-1435	140	230	1135	1435	80	2
CL030-1548	140	230	1248	1548	85	2
CL030-1660	140	230	1360	1660	89	2
CL030-1885	140	230	1585	1885	96	2
CL030-2110	140	230	1810	2110	114	2

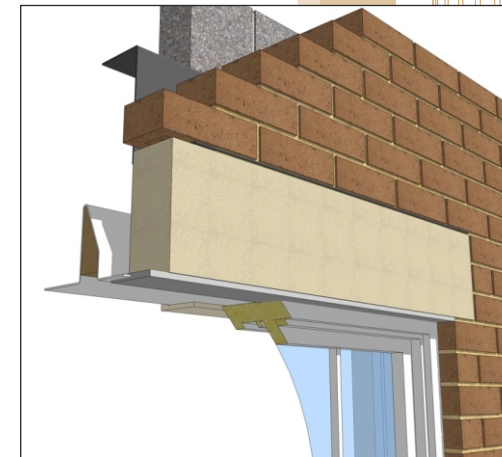
# Plain Head H010

Our Plain Heads are designed to fit standard brick coursing with 100mm bearing to fit standard English Bond.

Plan and Elevation of our standard opening sizes



Typical installation detail

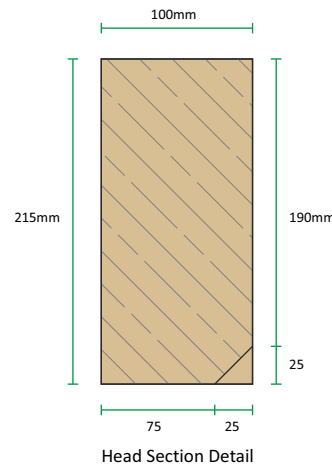


Our Heads are non structural and should be used in conjunction with supporting lintels. They are available to fit standard openings or a bespoke opening to your request. Internal Stainless steel reinforcing and lifting lugs can be cast in to order. If you require any further information, please call 01258 472685 and ask to speak to a member of our technical department. All joints shown 6mm

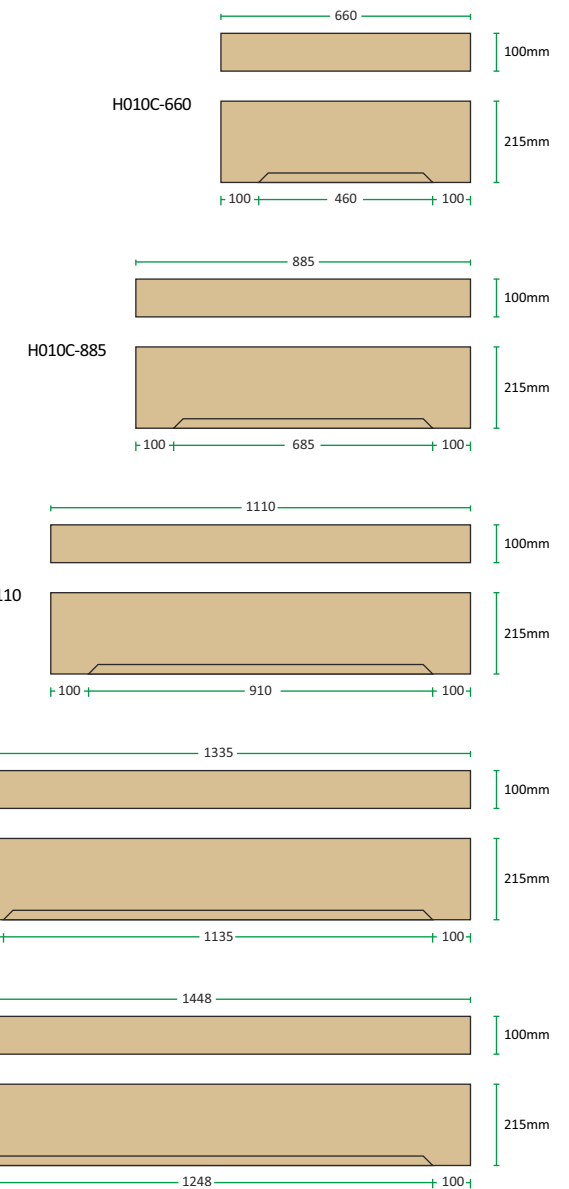
# Large Chamfered Head H010C

Our Large Chamfered Heads are designed to fit standard brick coursing with 100mm bearing to fit standard English Bond.

Code	Height (mm)	Width (mm)	Brick opening length (mm)	Overall length (mm)	Weight (Kg)	No. of sections
H010C-660	215	100	460	660	30	1
H010C-885	215	100	685	885	40	1
H010C-1110	215	100	910	1110	50	1
H010C-1335	215	100	1135	1335	60	1
H010C-1448	215	100	1248	1448	65	1
H010C-1560	215	100	1360	1560	70	2
H010C-1785	215	100	1585	1785	81	2
H010C-2010	215	100	1810	2010	91	2



Plan and Elevation of our standard opening sizes



Typical installation detail

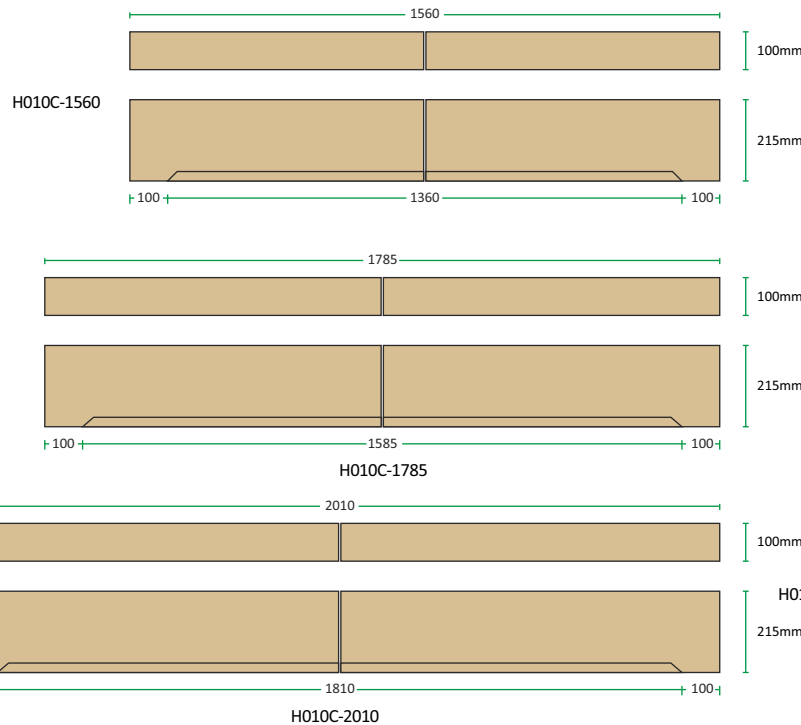


Our Heads are non structural and should be used in conjunction with supporting lintels.

They are available to fit standard openings or a bespoke opening to your request.

Internal Stainless steel reinforcing and lifting lugs can be cast in to order. If you require any further information, please call 01258 472685 and ask to speak to a member of our technical department.

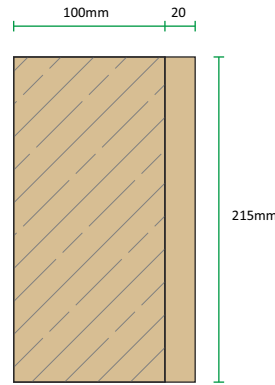
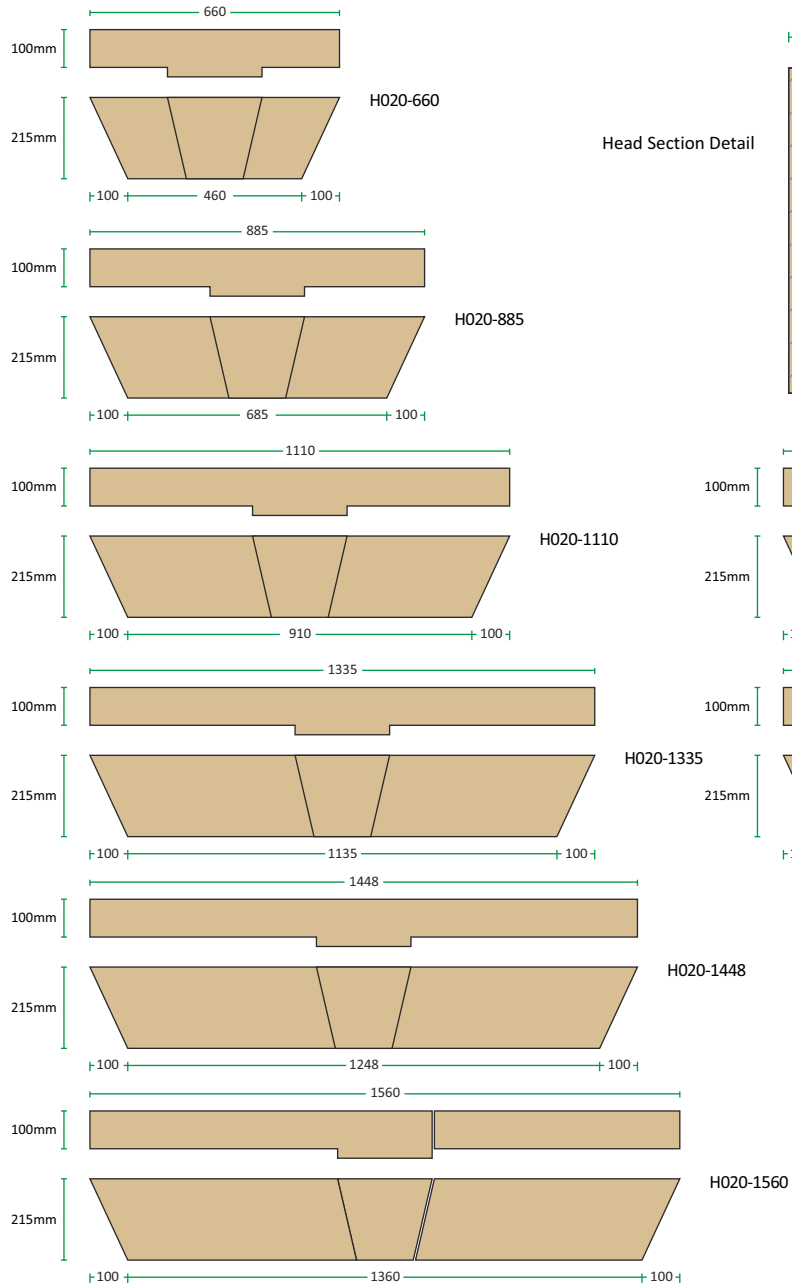
All joints shown 6mm



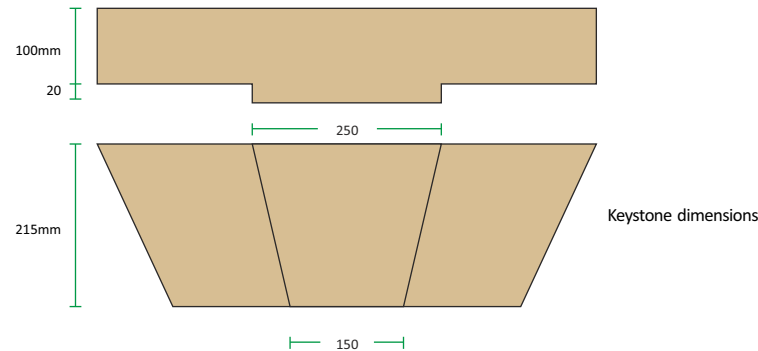
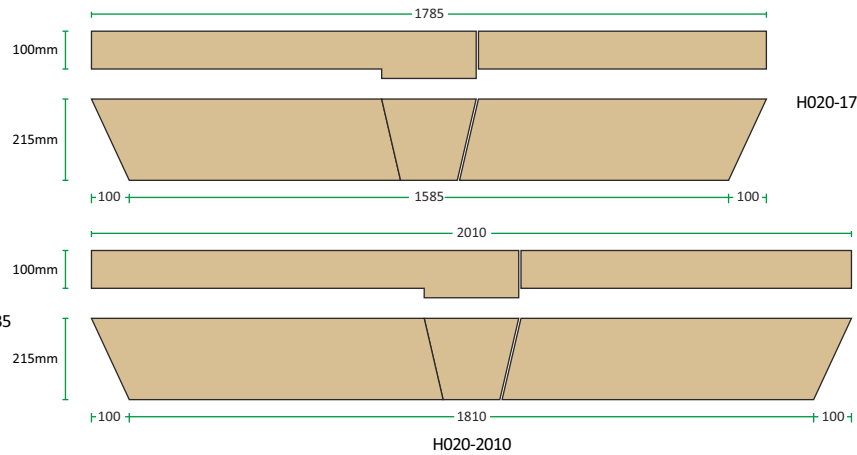
# Keystone Head H020

Our keystone Heads are designed to fit standard brick coursing.

Plan and Elevation of our standard opening sizes



Code	Height (mm)	Width (mm)	Brick opening length (mm)	Overall length (mm)	Weight (Kg)	No. of sections
H020-660	215	100	460	660	27	1
H020-885	215	100	685	885	37	1
H020-1110	215	100	910	1110	47	1
H020-1335	215	100	1135	1335	57	1
H020-1448	215	100	1248	1448	63	1
H020-1560	215	100	1360	1560	68	2
H020-1785	215	100	1585	1785	78	2
H020-2010	215	100	1810	2010	88	2



Typical installation detail

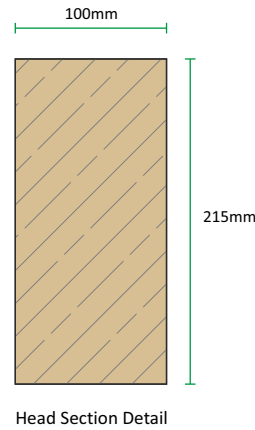


Our Heads are non structural and should be used in conjunction with supporting lintels. They are available to fit standard openings or a bespoke opening to your request. Internal Stainless steel reinforcing and lifting lugs can be cast in to order. If you require any further information, please call 01258 472685 and ask to speak to a member of our technical department. All joints shown 6mm

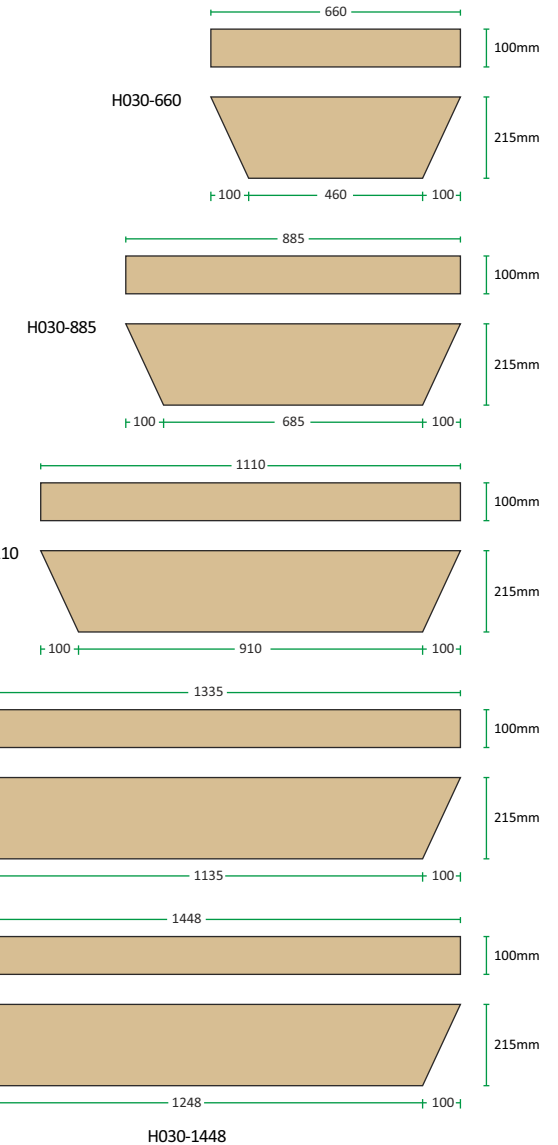
# Angled Head H030

Our Angled Heads are designed to fit standard brick coursing.

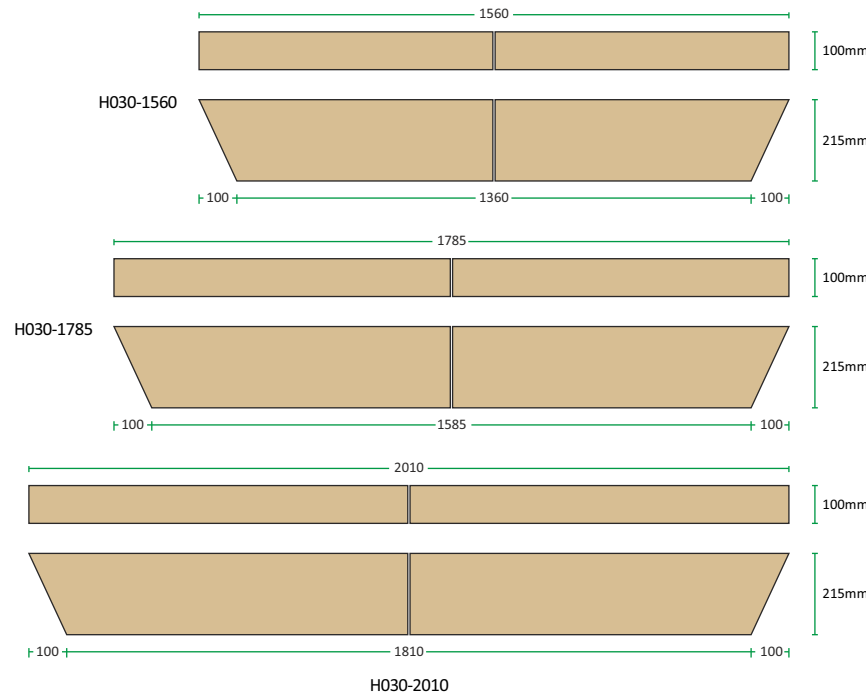
Code	Height (mm)	Width (mm)	Brick opening length (mm)	Overall length (mm)	Weight (Kg)	No. of sections
H030-660	215	100	460	660	25	1
H030-885	215	100	685	885	35	1
H030-1110	215	100	910	1110	45	1
H030-1335	215	100	1135	1335	55	1
H030-1448	215	100	1248	1448	61	1
H030-1560	215	100	1360	1560	66	2
H030-1785	215	100	1585	1785	76	2
H030-2010	215	100	1810	2010	86	2



Plan and Elevation of our standard opening sizes



Typical installation detail



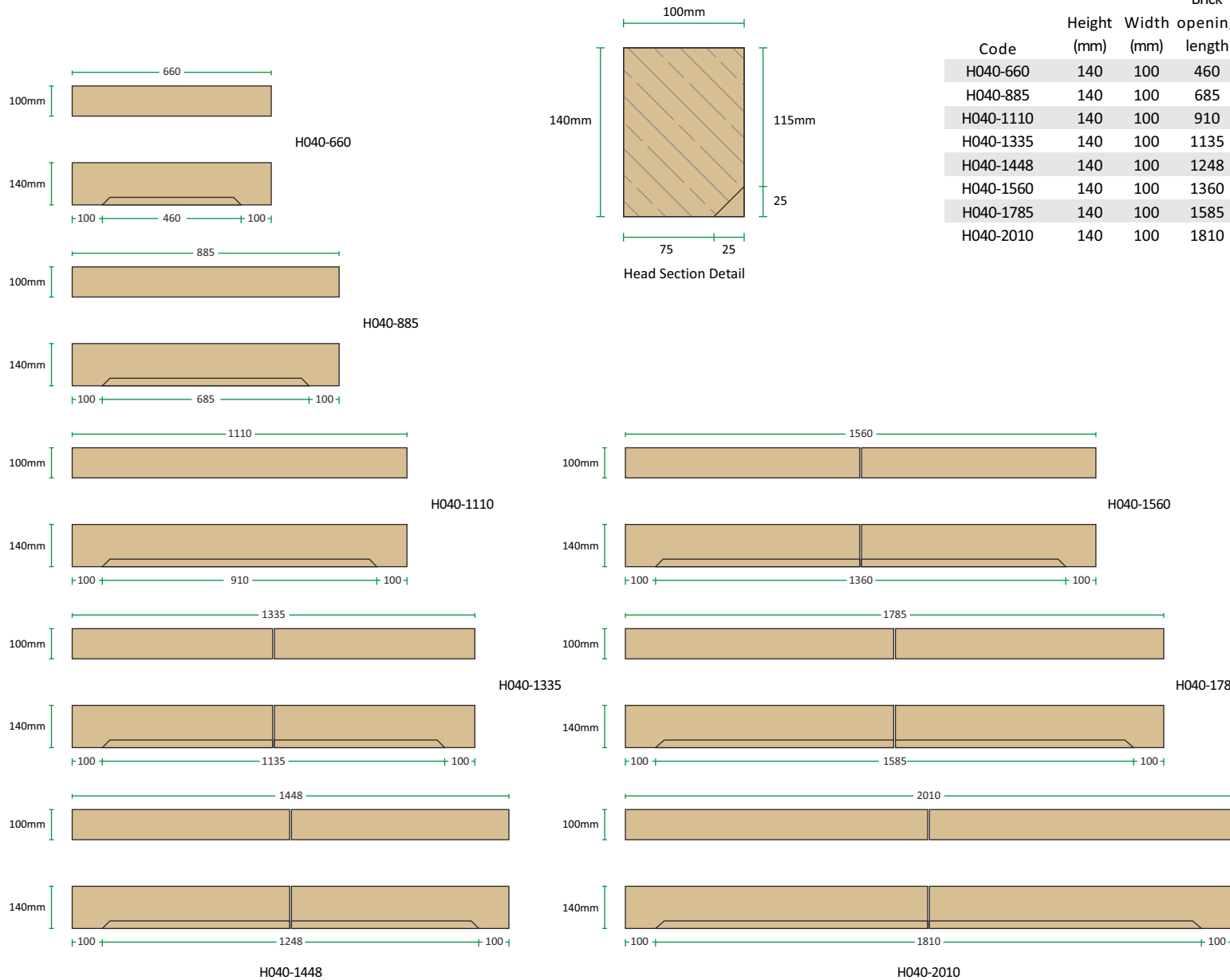
Our Heads are non structural and should be used in conjunction with supporting lintels. They are available to fit standard openings or a bespoke opening to your request. Internal Stainless steel reinforcing and lifting lugs can be cast in to order. If you require any further information, please call 01258 472685 and ask to speak to a member of our technical department. All joints shown 6mm



# Chamfered Head H040

Our Chamfered Heads are designed to fit standard brick coursing.

Plan and Elevation of our standard opening sizes



Code	Height (mm)	Width opening (mm)	Brick length (mm)	Overall length (mm)	Weight (Kg)	No. of sections
H040-660	140	100	460	660	19	1
H040-885	140	100	685	885	26	1
H040-1110	140	100	910	1110	33	1
H040-1335	140	100	1135	1335	39	2
H040-1448	140	100	1248	1448	42	2
H040-1560	140	100	1360	1560	45	2
H040-1785	140	100	1585	1785	52	2
H040-2010	140	100	1810	2010	58	2

Typical installation detail



Our Heads are non structural and should be used in conjunction with supporting lintels. They are available to fit standard openings or a bespoke opening to your request. Internal Stainless steel reinforcing and lifting lugs can be cast in to order. If you require any further information, please call 01258 472685 and ask to speak to a member of our technical department. All joints shown 6mm

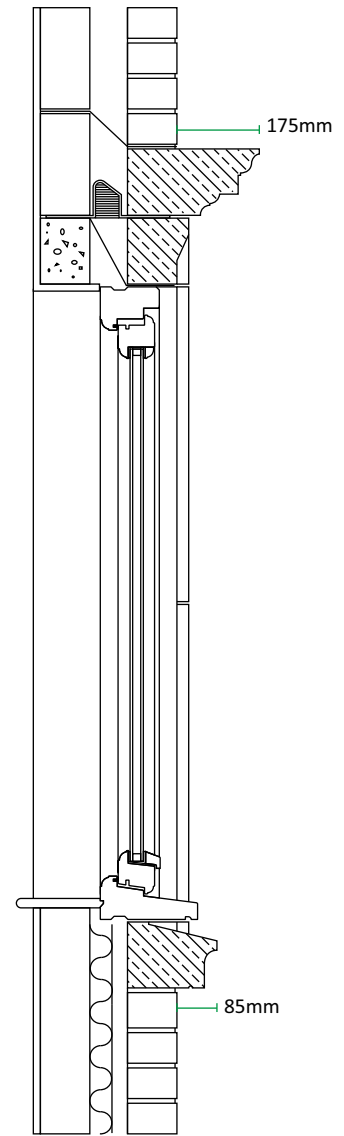
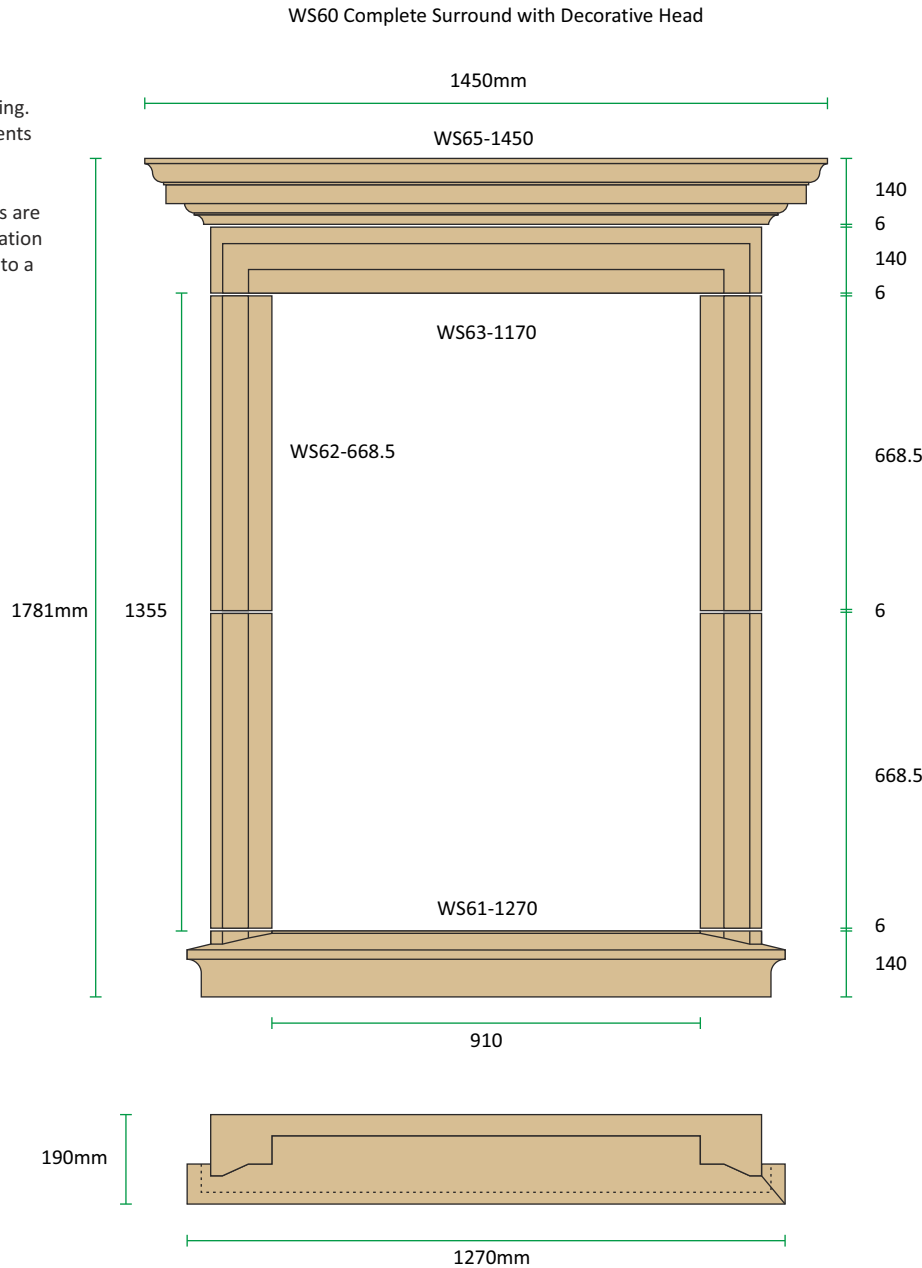
# Decorative Window Surround WS60

Our WS60 Window Surround is available in a range of standard sizes to suit common window openings.

Example Shown to suit 910x1355mm opening.  
For alternative standard sizes and components please refer to our price list.

Bespoke sizes and matching door surrounds are available for special order, for more information please call 01258 472685 and ask to speak to a member of our technical department.

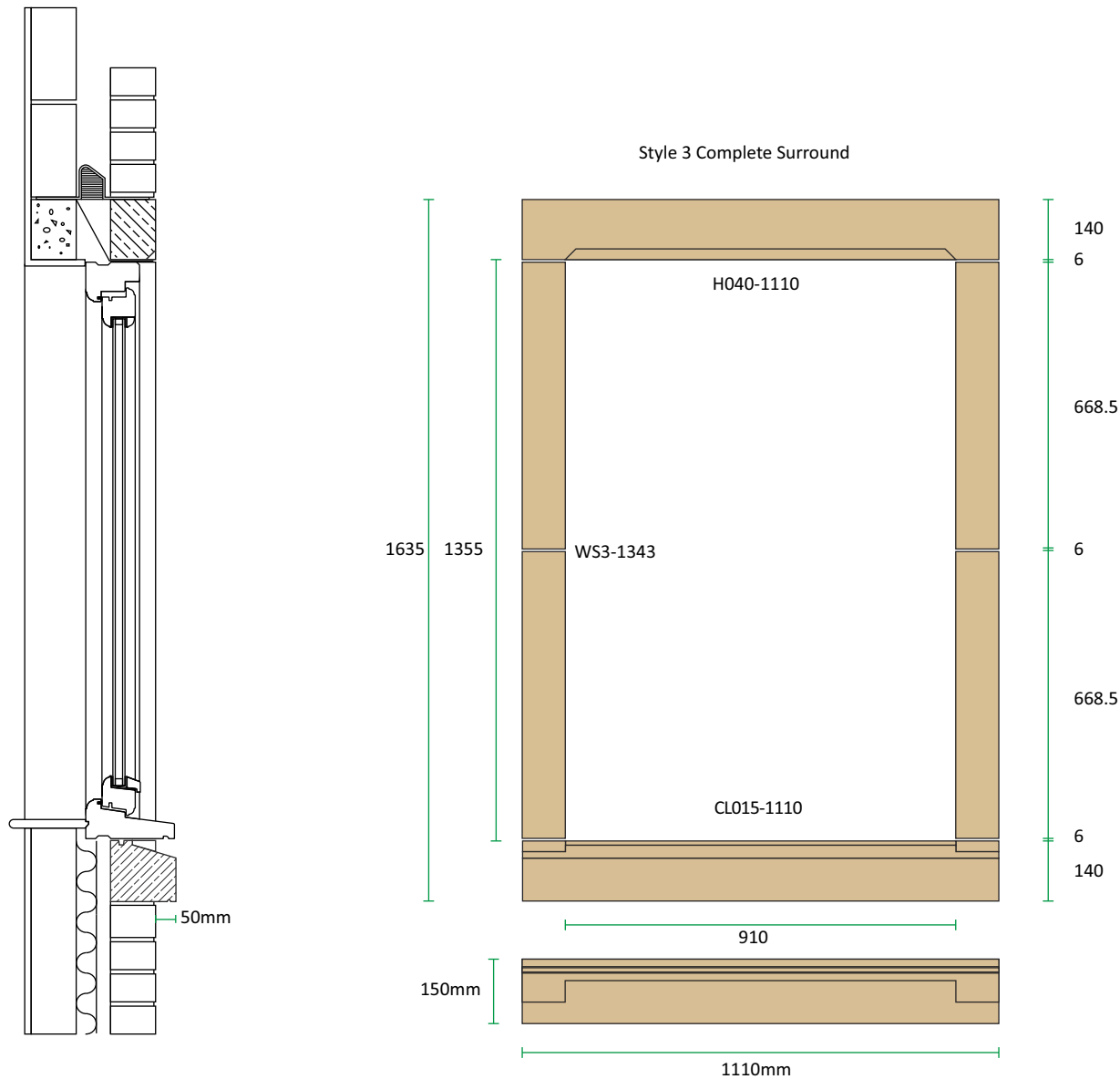
Typical installation detail



Section detail showing typical construction  
All joints shown 6mm

# Window Surround Style 3

Our Style 3 Window Surround is available in a range of standard sizes to suit common window openings.



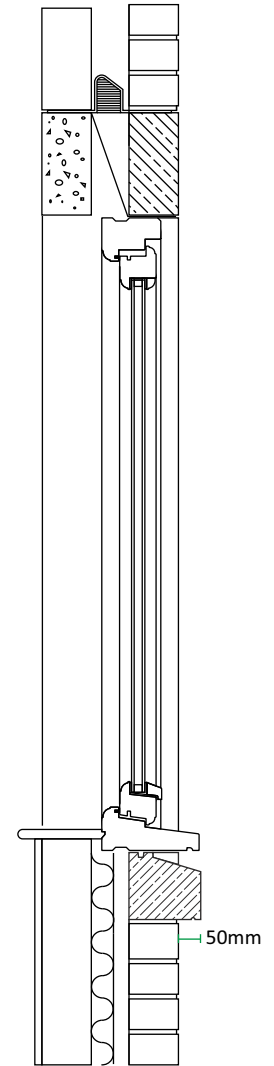
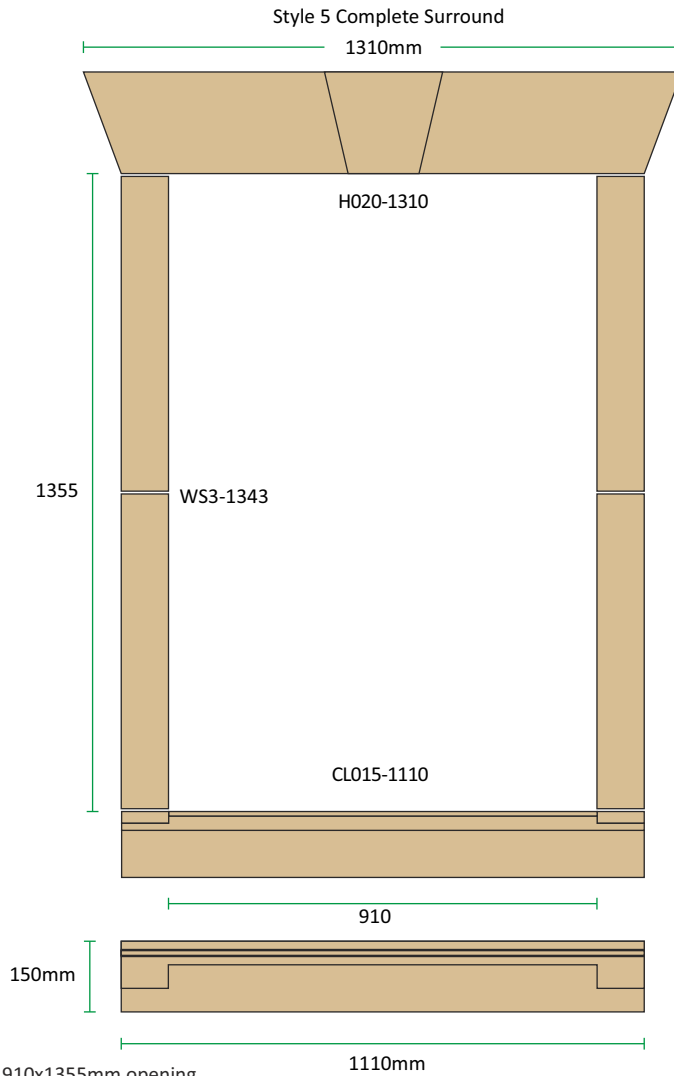
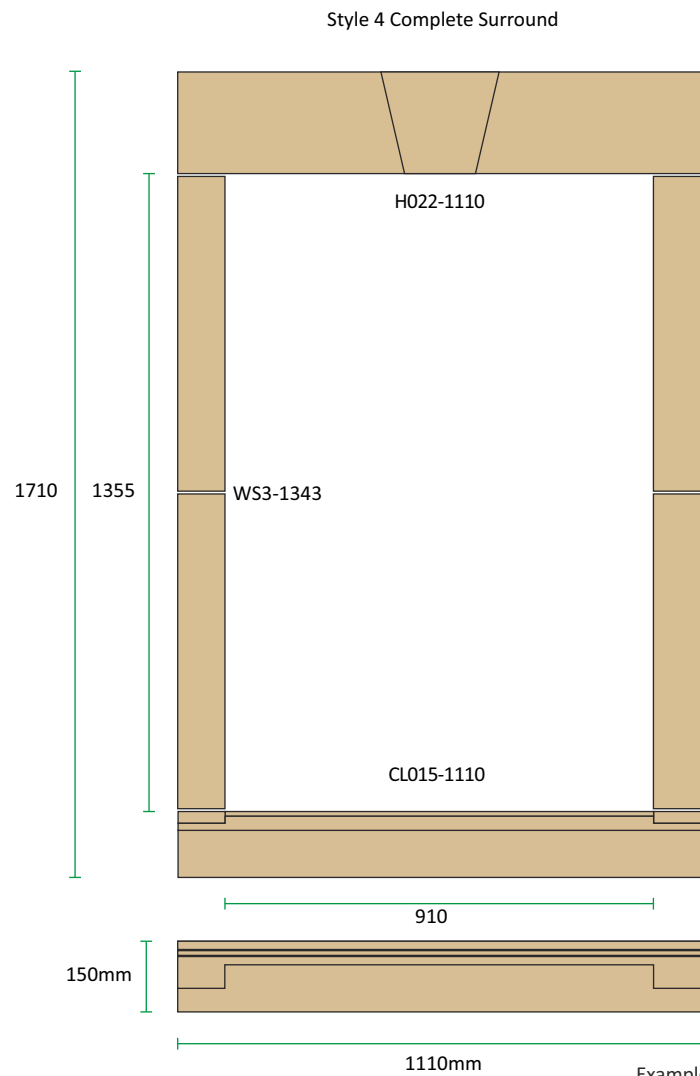
Section detail showing typical construction  
All joints shown 6mm

Example Shown to suit 910x1355mm opening.  
For alternative standard sizes and components  
please refer to our price list.

Bespoke sizes and matching door surrounds are  
available for special order, for more information  
please call 01258 472685 and ask to speak to a  
member of our technical department.

# Window Surround Style 4 & Style 5

Our Style 4 & Style 5 Window Surround is available in a range of standard sizes to suit common window openings.



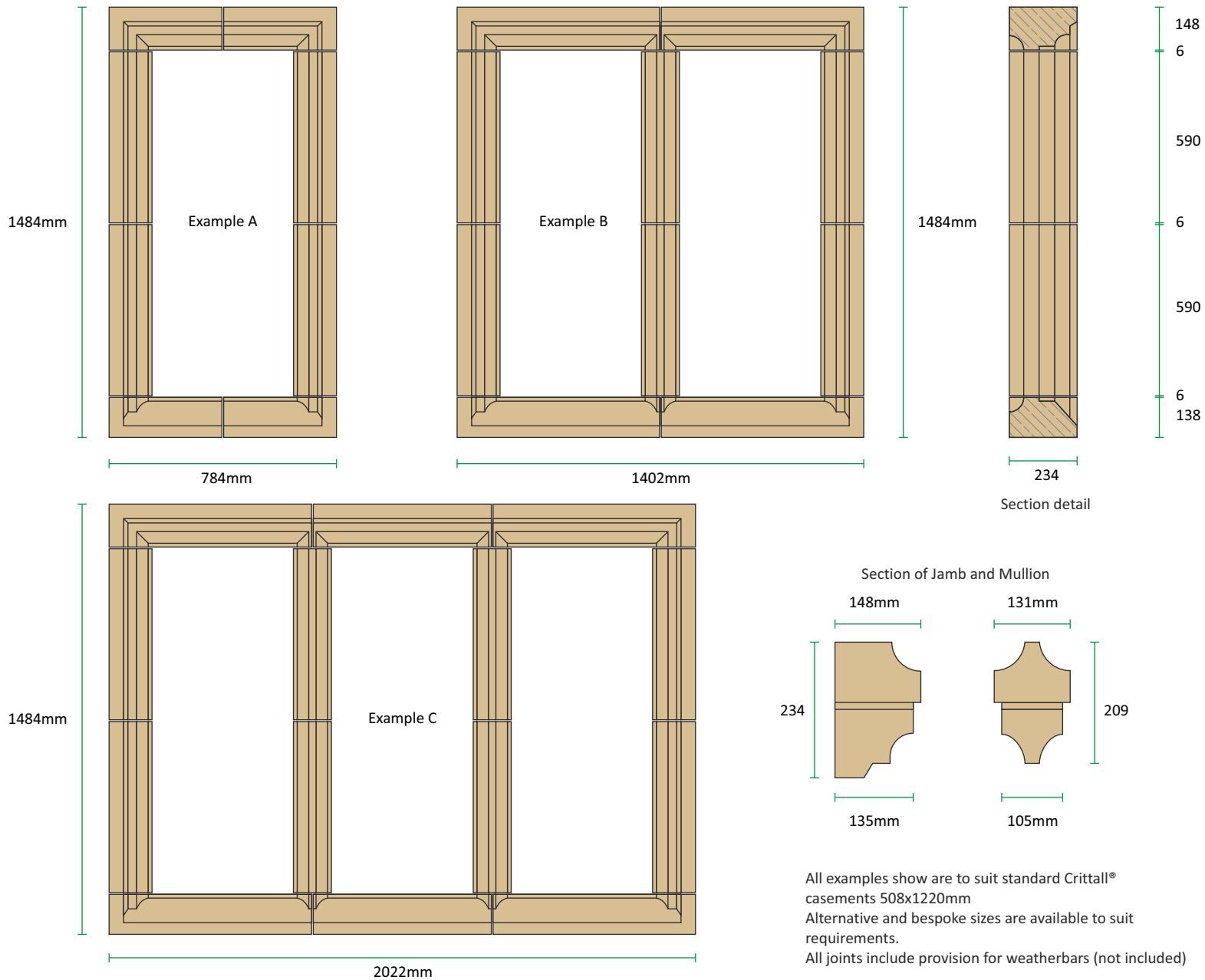
Example Shown to suit 910x1355mm opening.  
For alternative standard sizes and components  
please refer to our price list.

Bespoke sizes and matching door surrounds are  
available for special order, for more information  
please call 01258 472685 and ask to speak to a  
member of our technical department.

Section detail showing typical construction  
All joints shown 6mm

# Style 1 Window surround

The traditionally inspired Style 1 window has been designed to suit standard Crittall® or similar steel casements.



The example shown includes our optional hood moulding.

All examples shown are to suit standard Crittall® casements 508x1220mm  
 Alternative and bespoke sizes are available to suit requirements.  
 All joints include provision for weatherbars (not included)

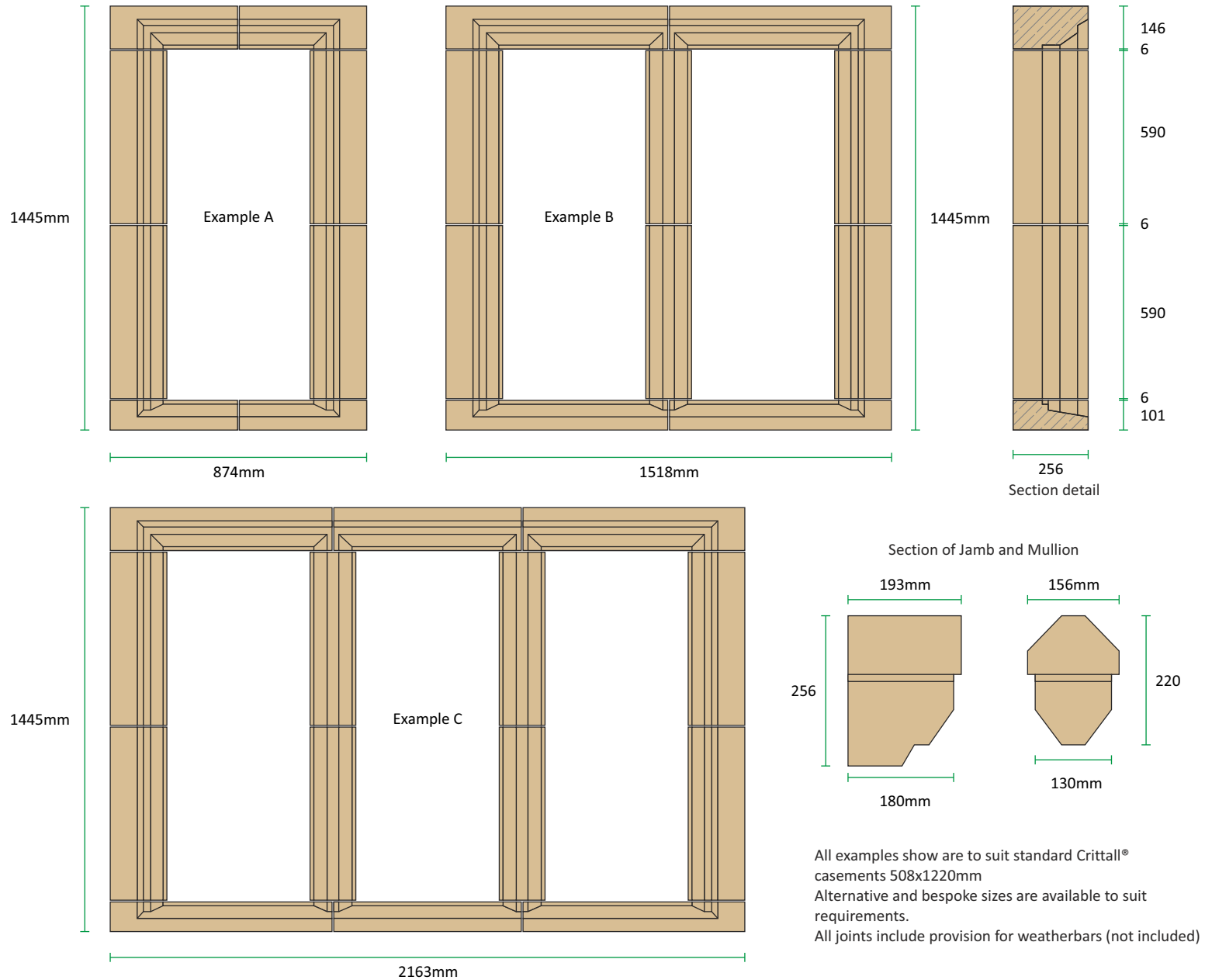
# Style 2 Window surround

The Style 2 window surround is a subtle blend of traditional and modern styles to suit any type of building.

Typical installation detail



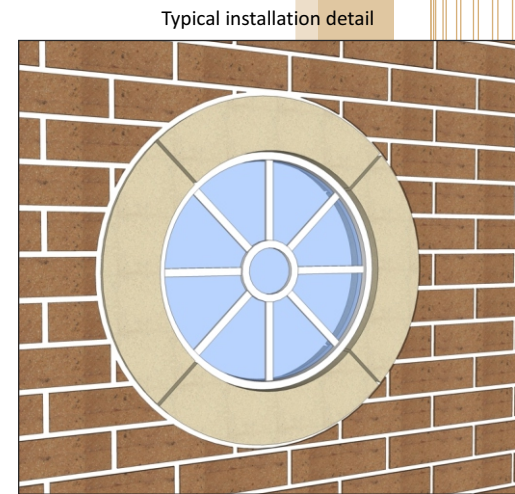
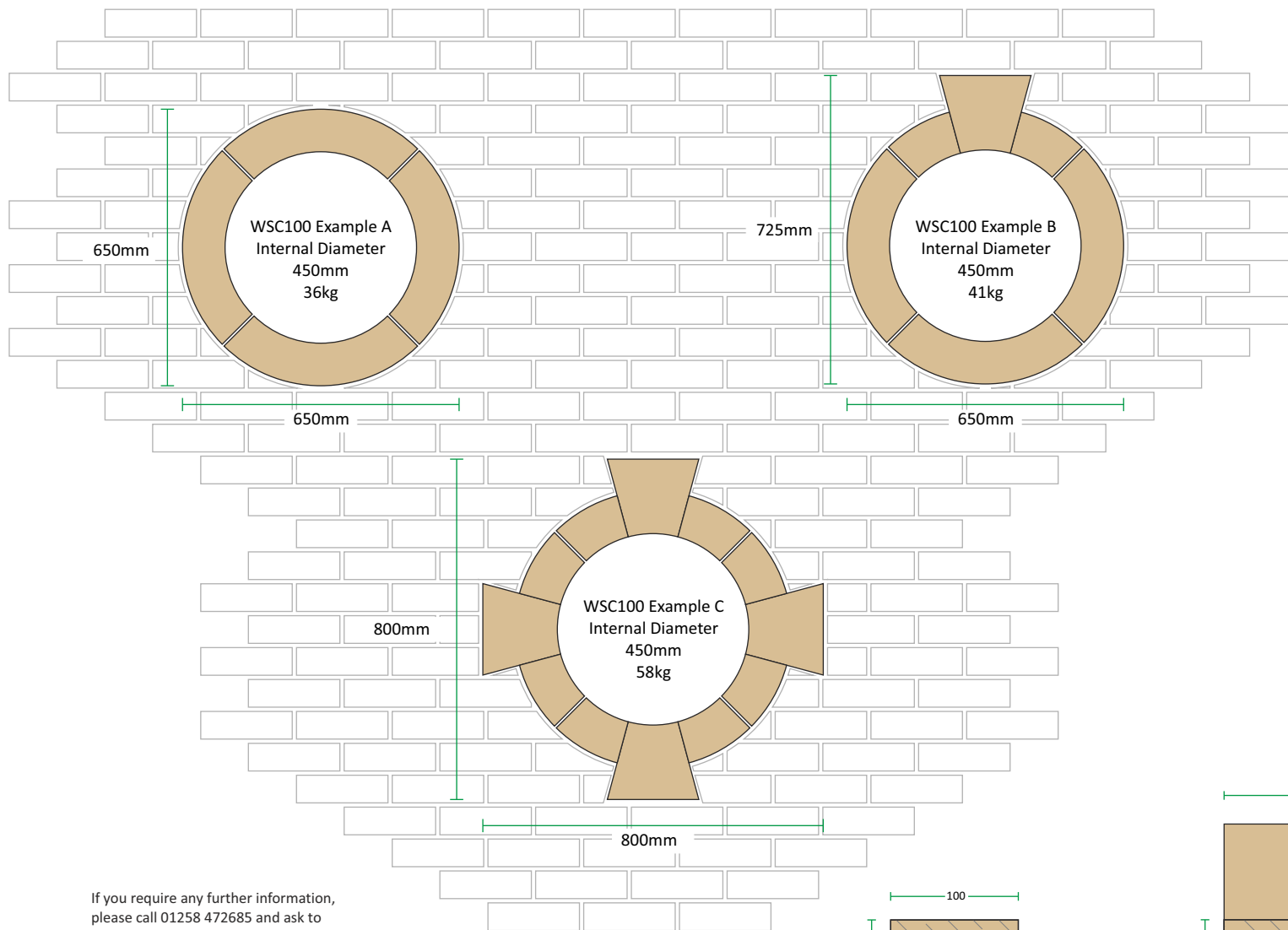
The example shown includes our optional hood moulding.



All examples shown are to suit standard Crittall® casements 508x1220mm  
 Alternative and bespoke sizes are available to suit requirements.  
 All joints include provision for weatherbars (not included)

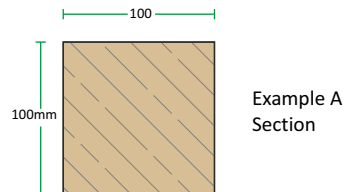
# Circular window surrounds WSC100

Our simple circular windows can add a feature to any build and are available with or without keystone details.

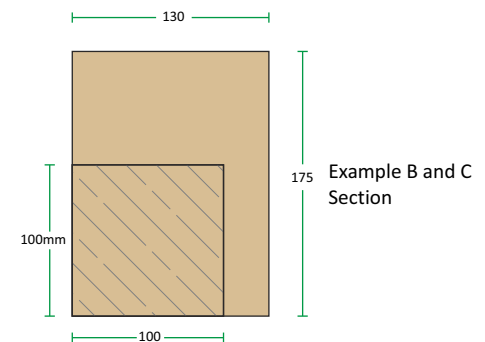


Typical installation detail

If you require any further information, please call 01258 472685 and ask to speak to a member of our technical department. All joints shown 6mm



Example A Section

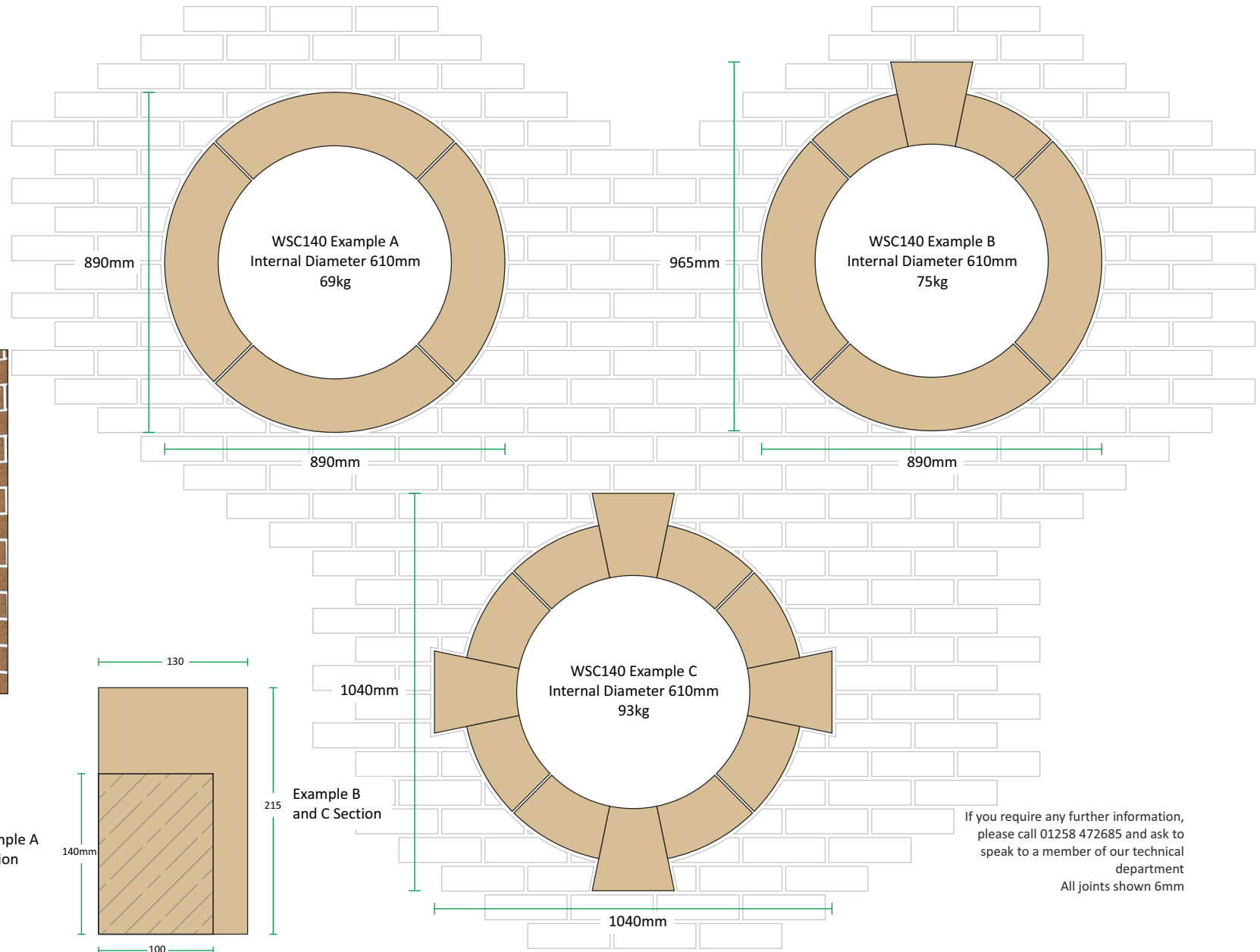


Example B and C Section

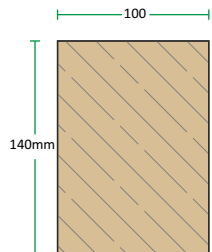
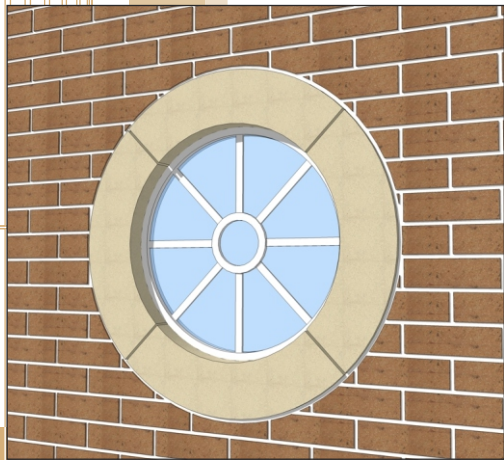


# Circular window surrounds WSC140

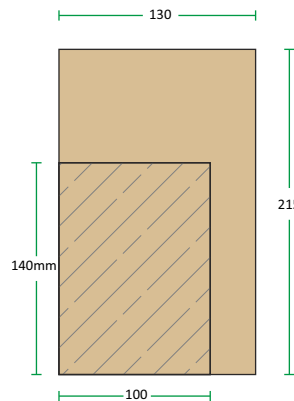
Our large WSC140 circular windows are available with or without keystone details.



Typical installation detail



Example A Section

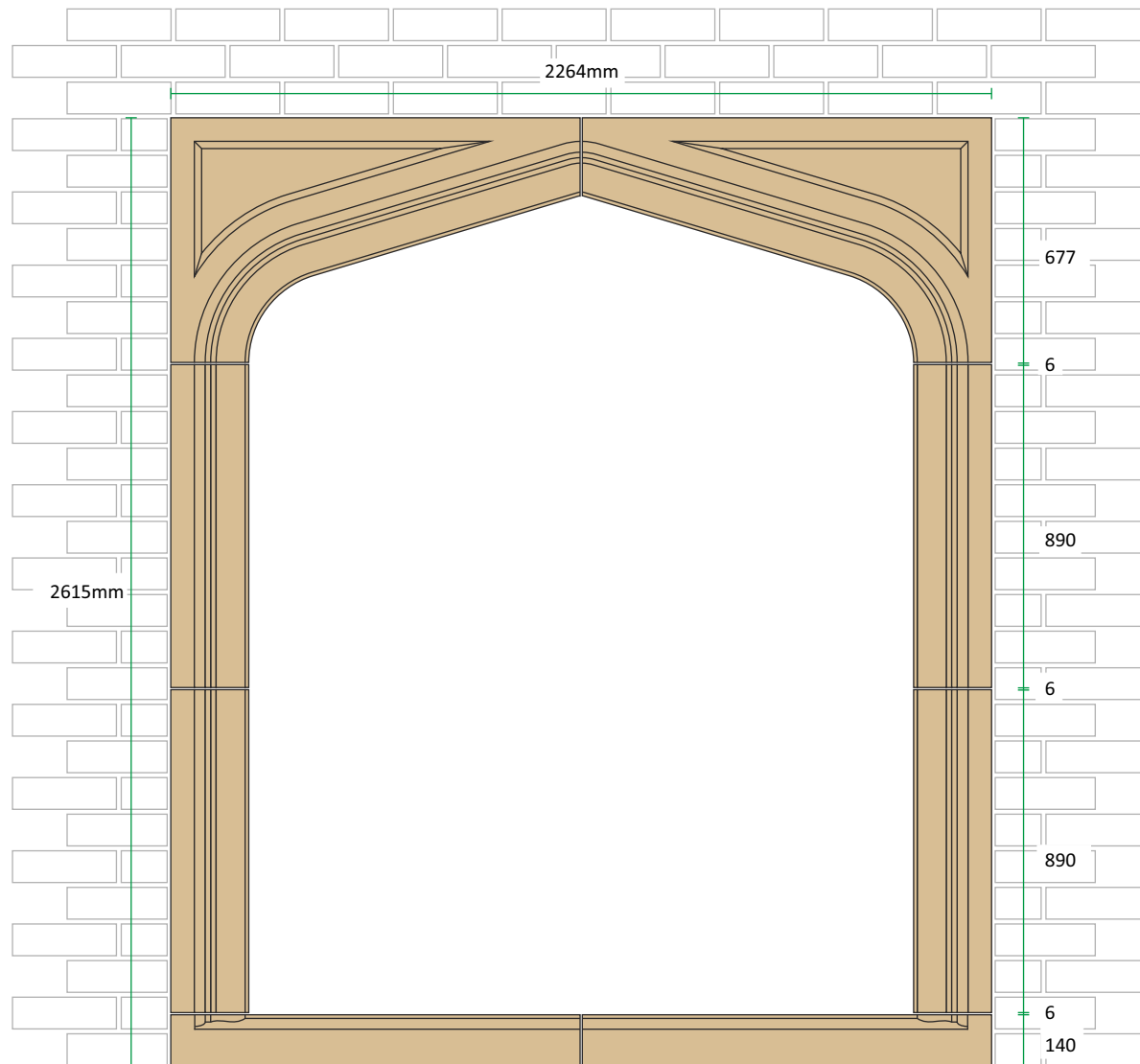


Example B and C Section

If you require any further information, please call 01258 472685 and ask to speak to a member of our technical department  
All joints shown 6mm

# Door Surround DS10

The DS10 is a Gothic inspired surround design to compliment a range of styles and create a grand entrance.

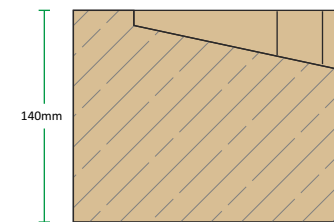


Example Shown to suit 2264mm external width, 1834mm internal width.  
Bespoke heights are available for special order, for more information please call  
01258 472685 and ask to speak to a member of our technical department.



Jamb Section

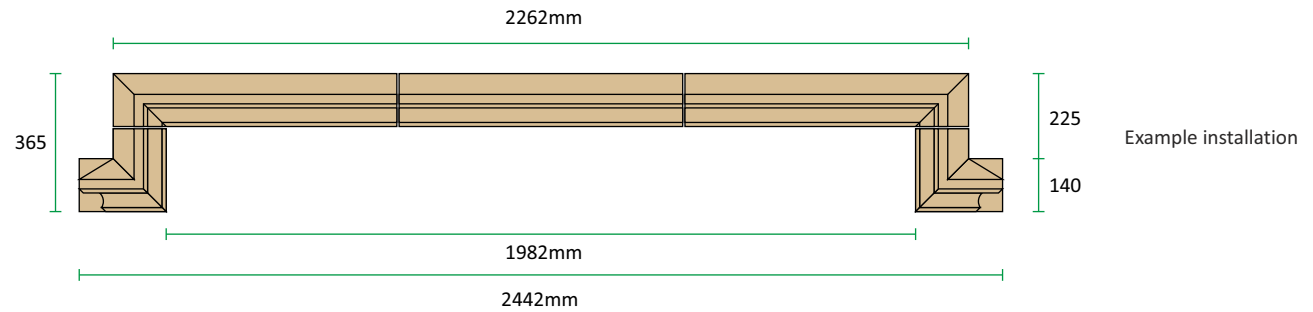
Typical installation detail



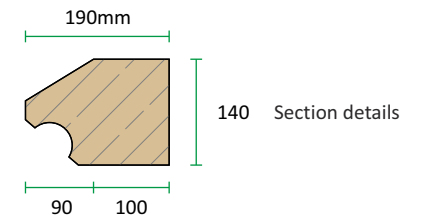
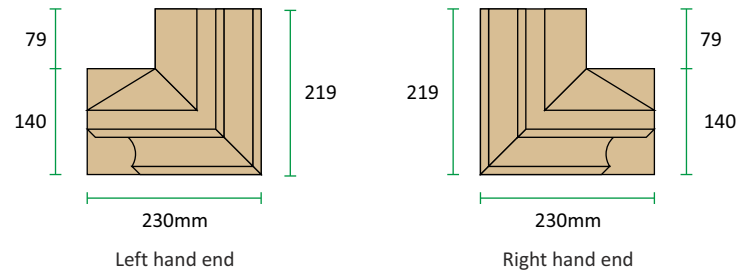
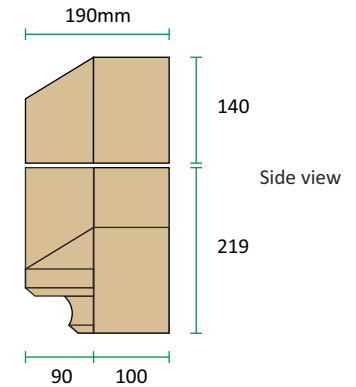
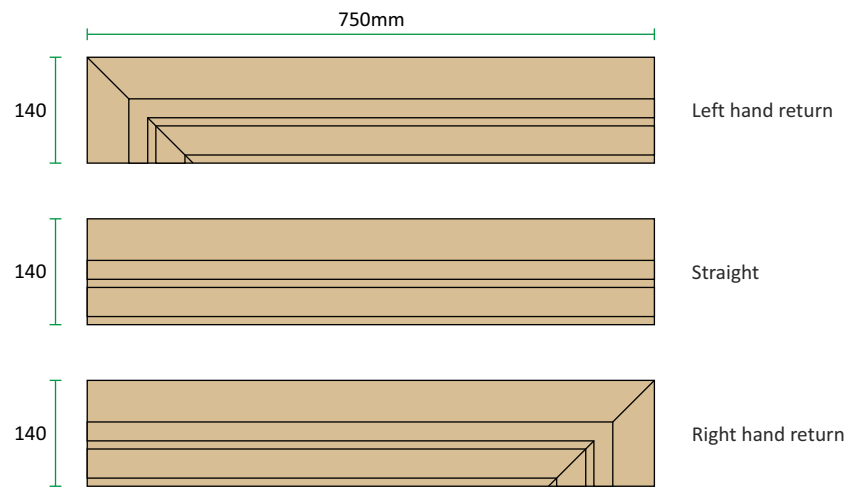
Threshold Section

# Decorative Hood Moulding

Our Decorative Hood Moulding is designed to compliment any design of window surround both practically and visually.



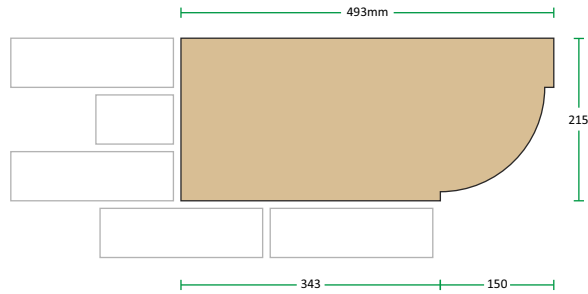
Typical installation detail



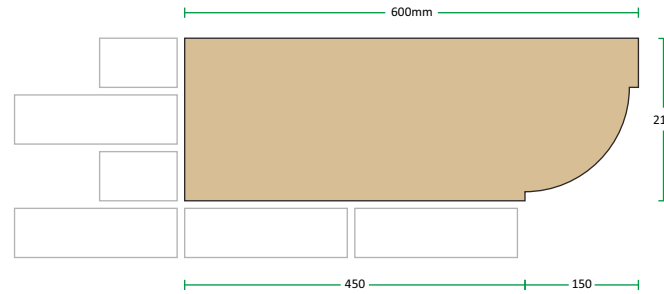
Our Decorative Hood Moulding can be used to create any opening size required.  
 For a quotation, please contact our technical team with your required dimensions on 01258 472685 department.  
 All joints shown 6mm

# Corbels

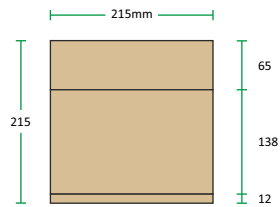
Our Corbel are designed to fit to standard brick courses with sizes to suit all applications.



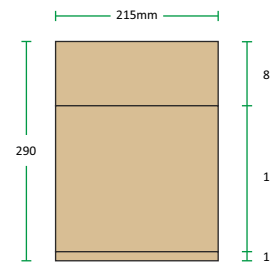
CB1 Corbel



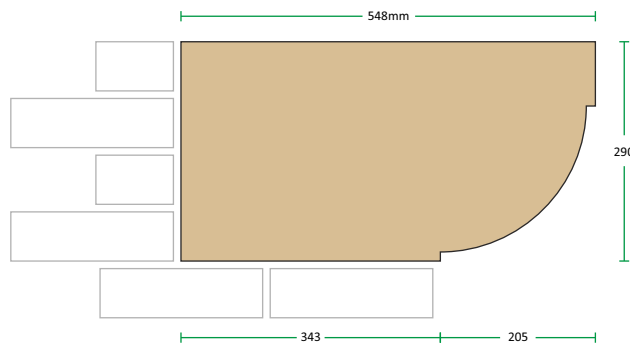
CB2 Corbel



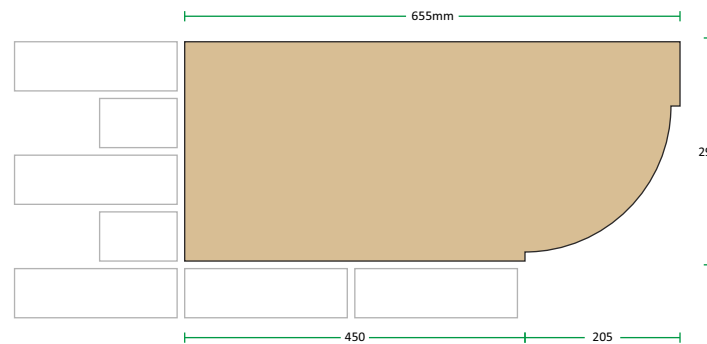
CB1 and CB2 Section



CB3 and CB4 Section

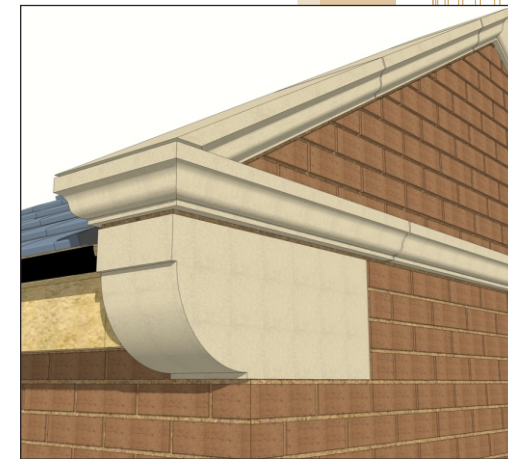


CB3 Corbel



CB4 Corbel

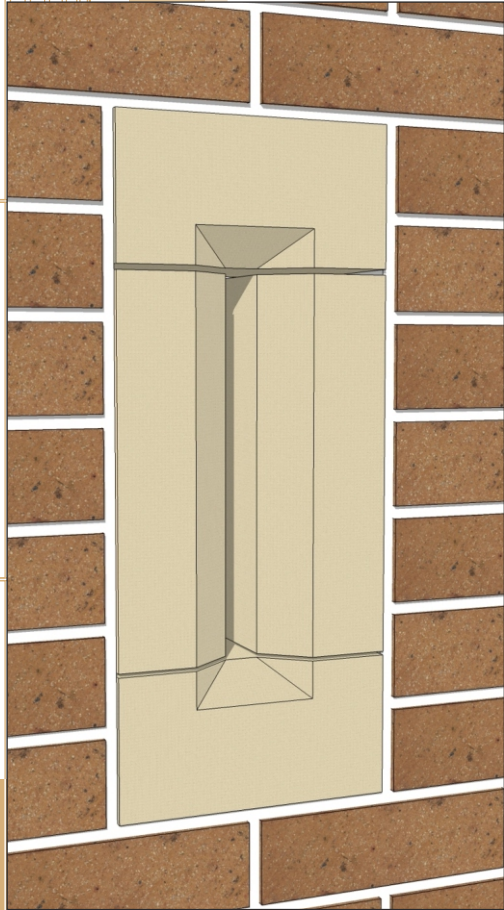
Typical installation detail



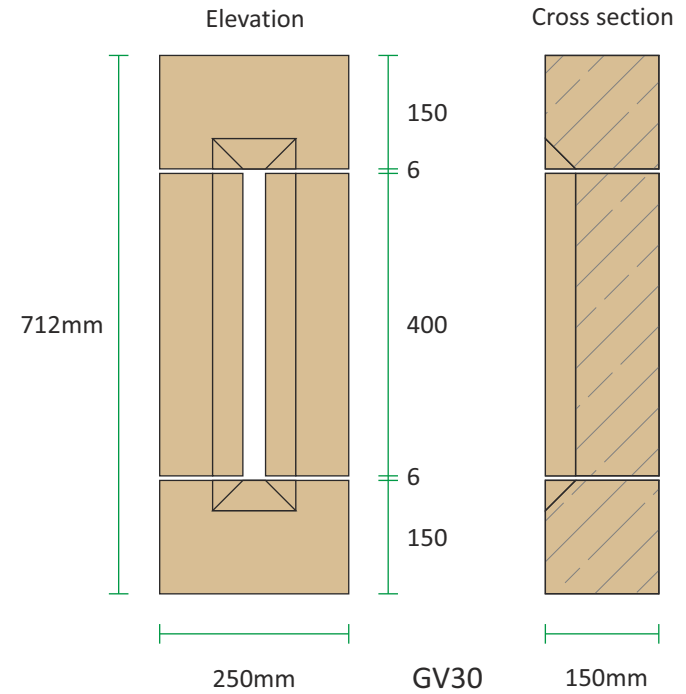
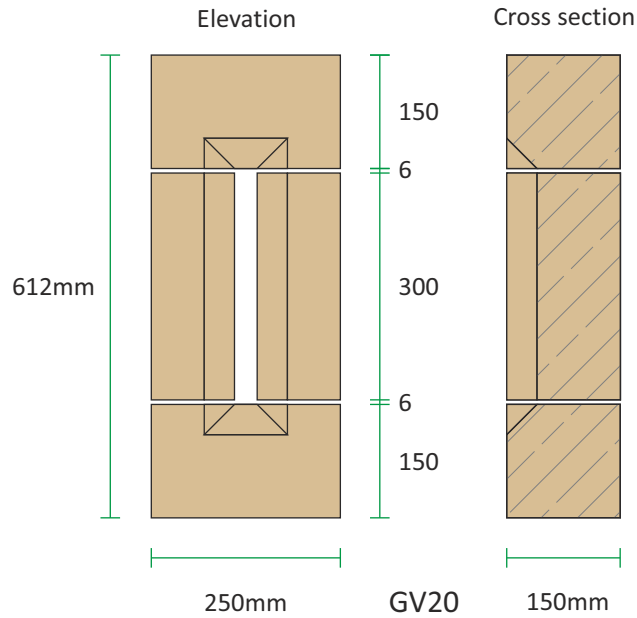
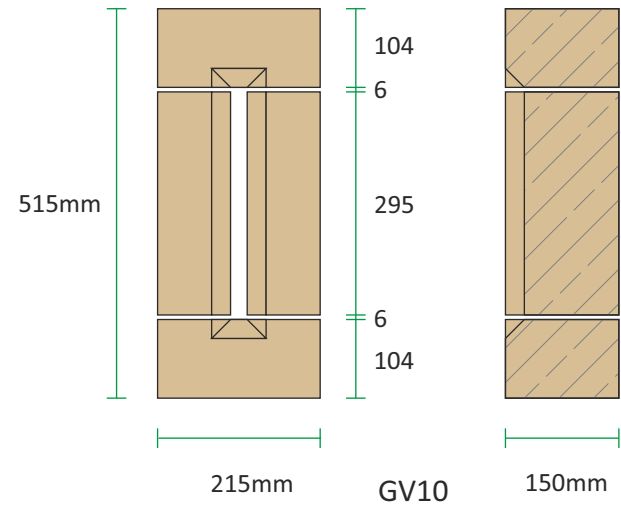
# Gable Vents

We have a range of Gable vents to suit all applications both functional and decorative.

Typical installation detail

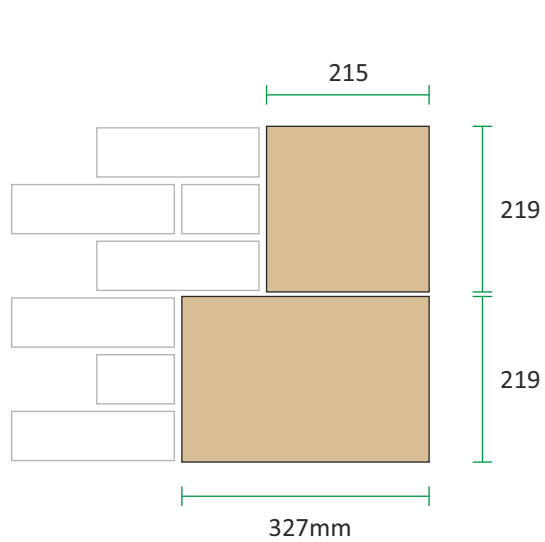


Our GV10 gable vent has adjustable jambs lengths up to 1220mm overall in height, please call us on 01258 472685 to discuss your requirements.

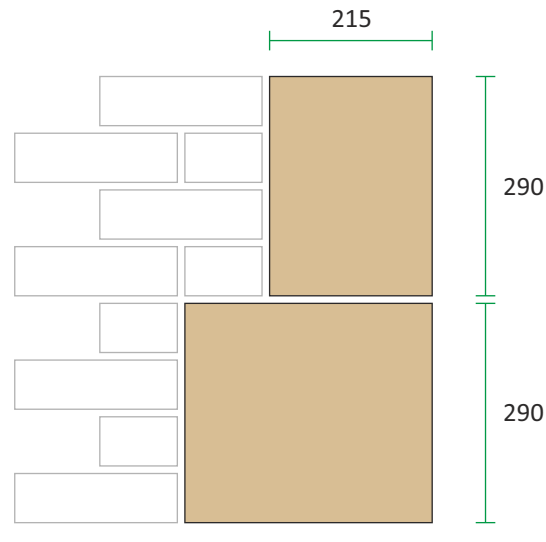


# Plain Quoins

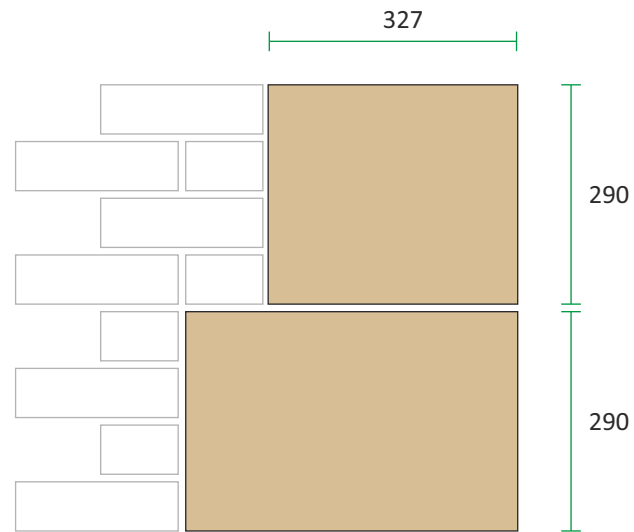
Our plain quoins are perfect to compliment the stone feature in any property, whilst simply framing the shape of your build.



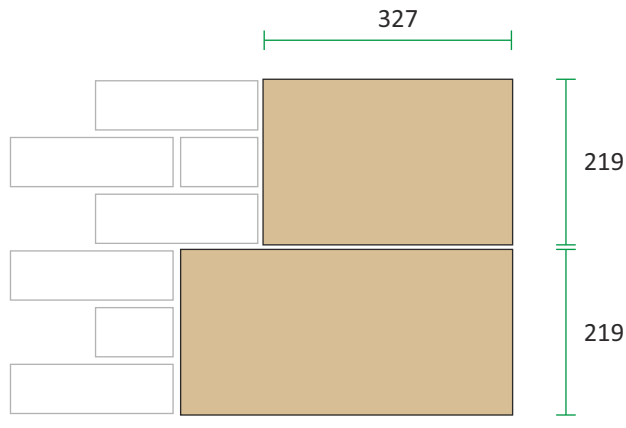
QP010



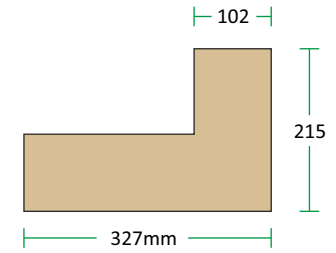
QP020



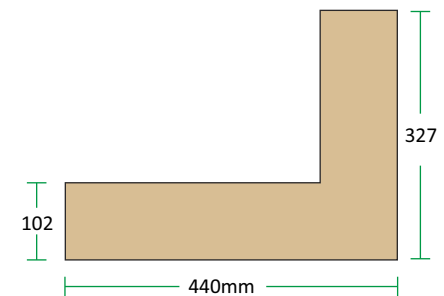
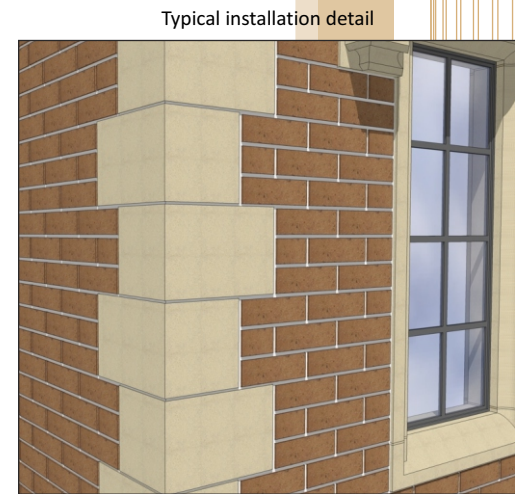
QP040



QP030



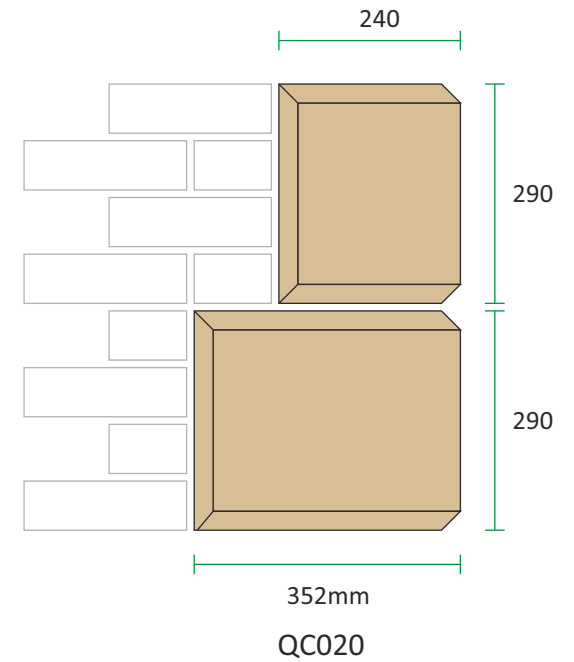
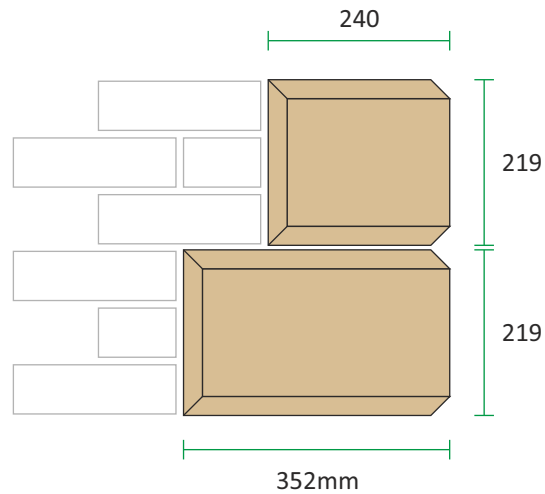
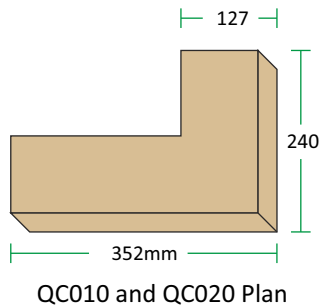
QP010 and QP020 Plan



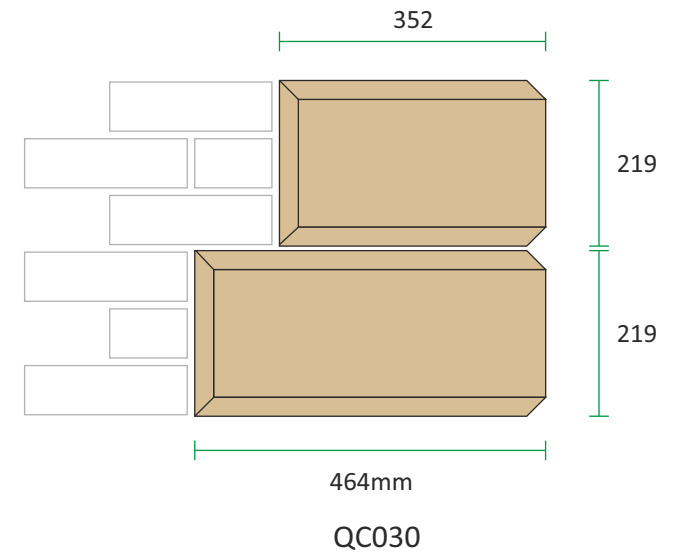
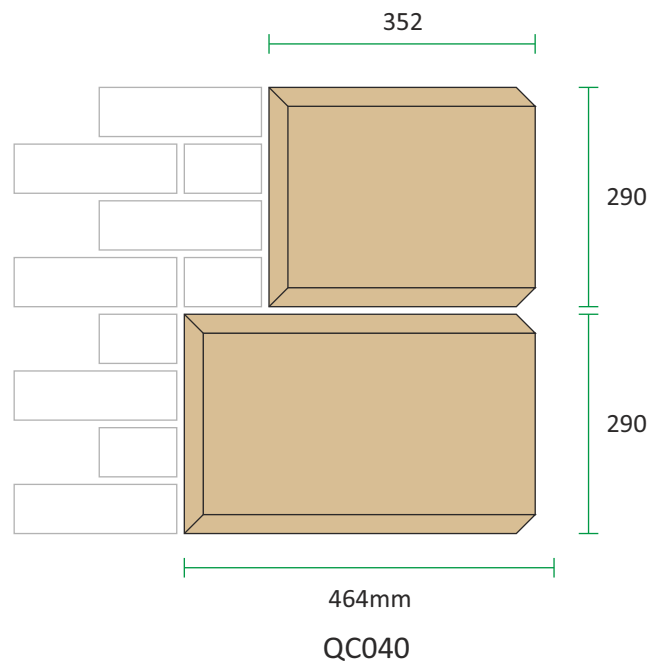
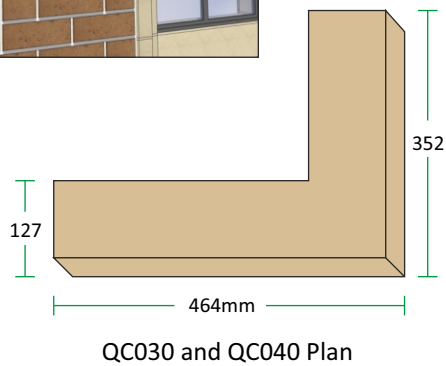
QP030 and QP040 Plan

# Chamfered Quoins

Chamfered quoins are perfect to add subtle detail to the outline of your build, creating a traditional look to larger properties.



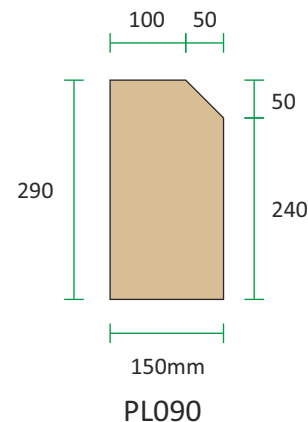
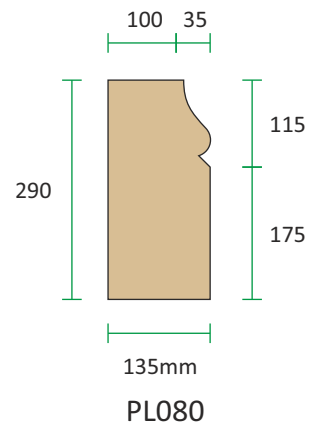
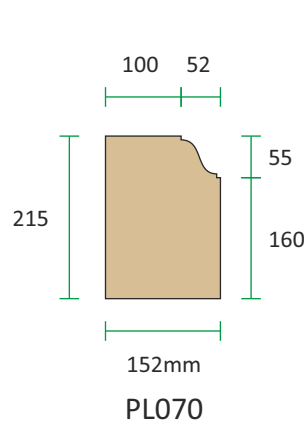
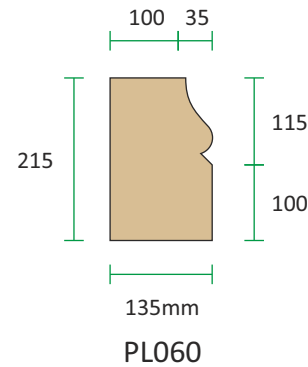
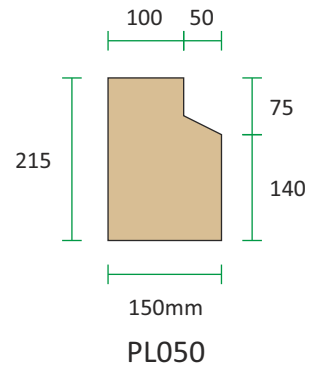
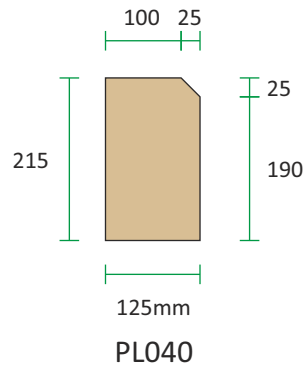
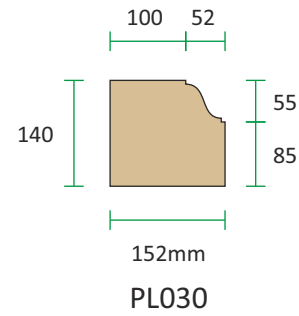
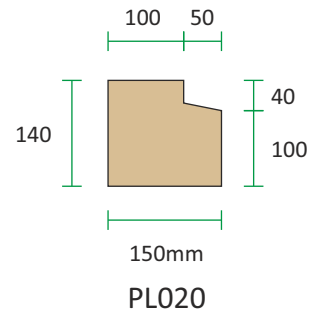
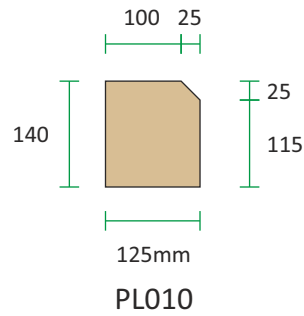
Typical installation detail





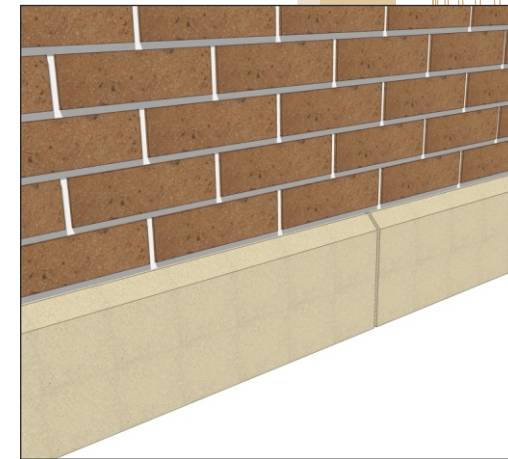
# Plinth Course

We manufacture a wide range of plinth courses, with designs to suit any style of building.



Our Plinth Courses are designed to suit standard brick coursing heights. They are available as straights, handed returns, and 500x500mm Corner sections. Please see our Price List for available components.

Typical installation detail



If you require any assistance, please call 01258 472685 and ask to speak to a member of our technical team.

# String Course

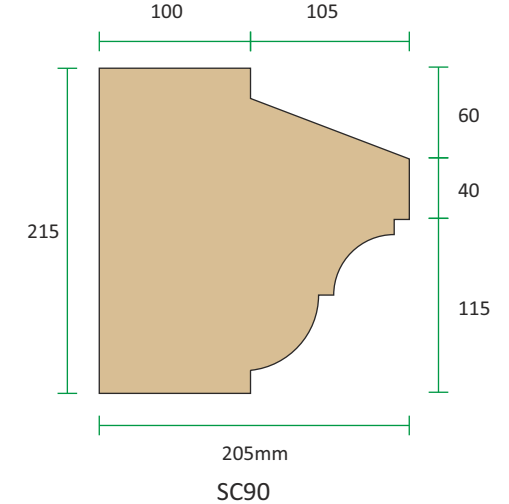
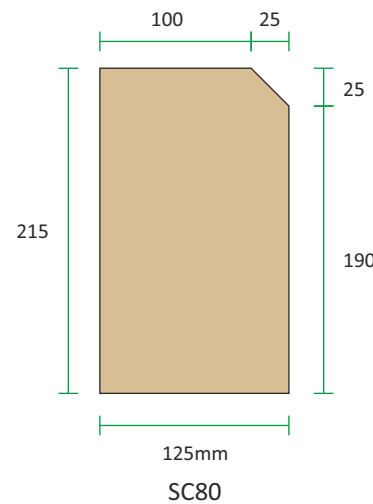
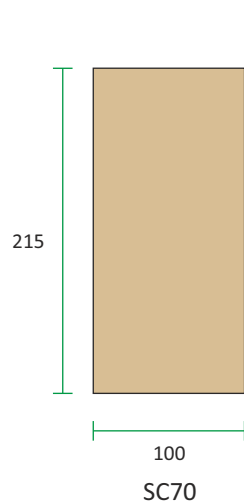
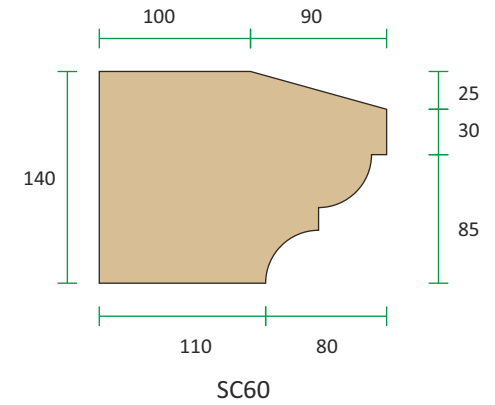
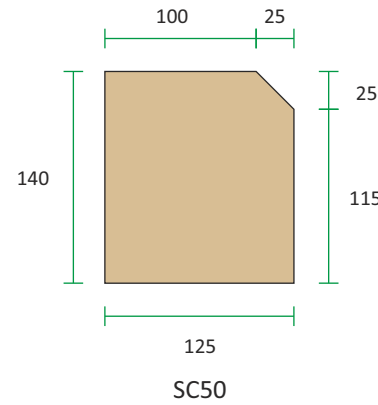
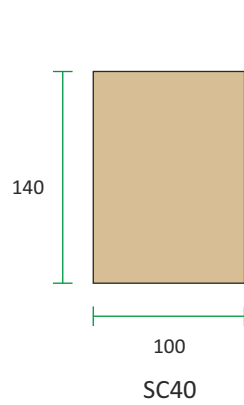
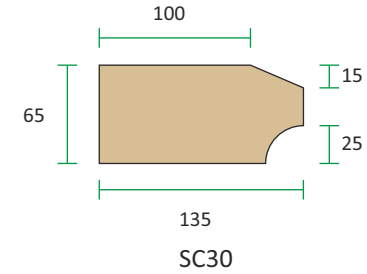
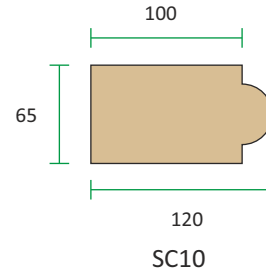
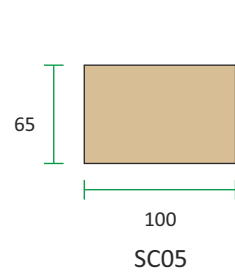
Whether used on their own, or by combining designs, string courses can add a vital feature to any building.

Our String Courses are designed to suit standard brick coursing heights. They are available as straights, handed returns, and 500x500mm Corner sections. Please see our Price List for available components.

Typical installation detail

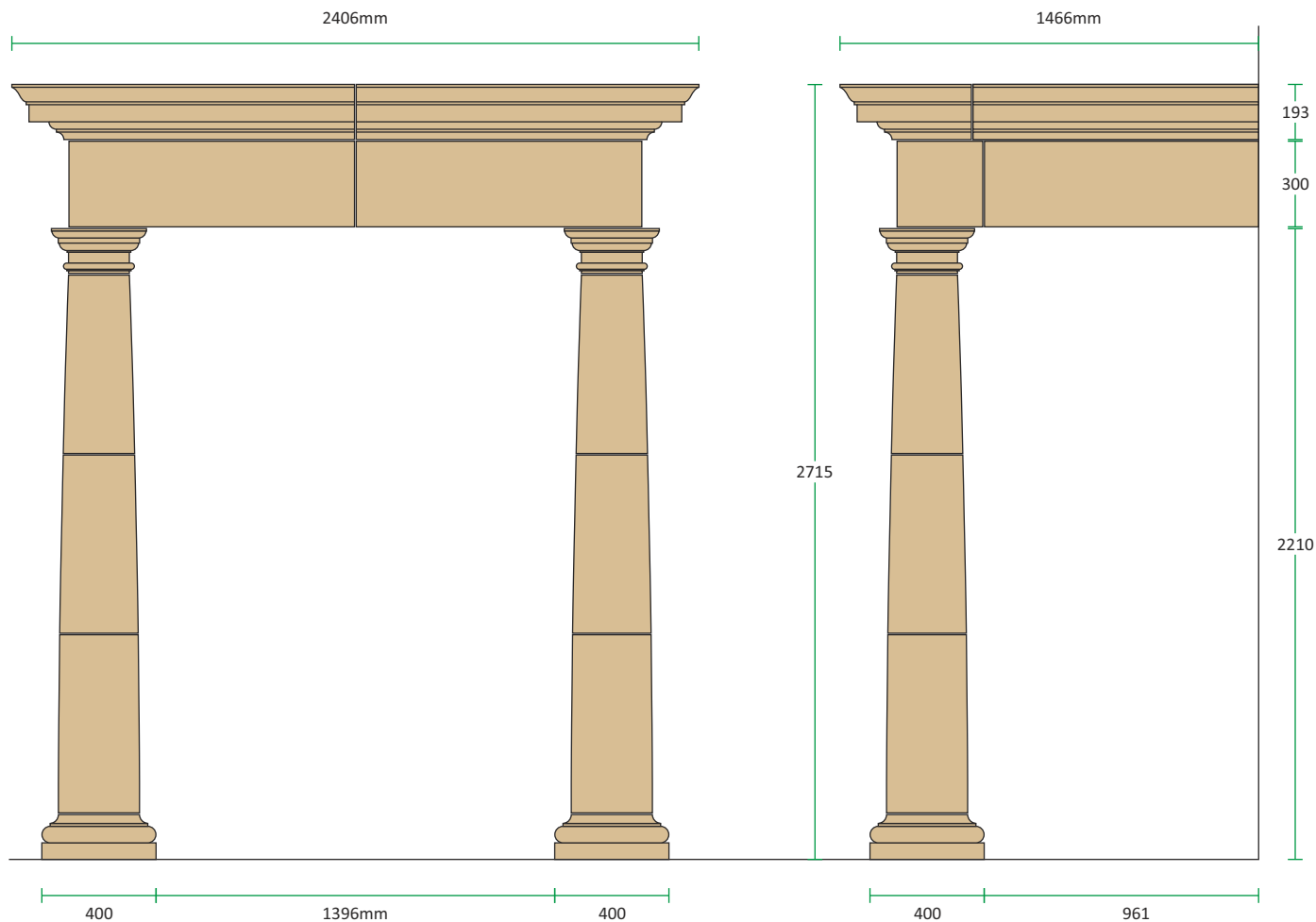


If you require any assistance, please call 01258 472685 and ask to speak to a member of our technical team.



# Example A Portico

We have many configurations of Porticos, both standard and bespoke, to help you choose we have designed three examples.



The Example A Portico uses Traditional Tuscan Style CM20 Columns, A010-300 Plain Architrave, and R010 Decorative Cornice.

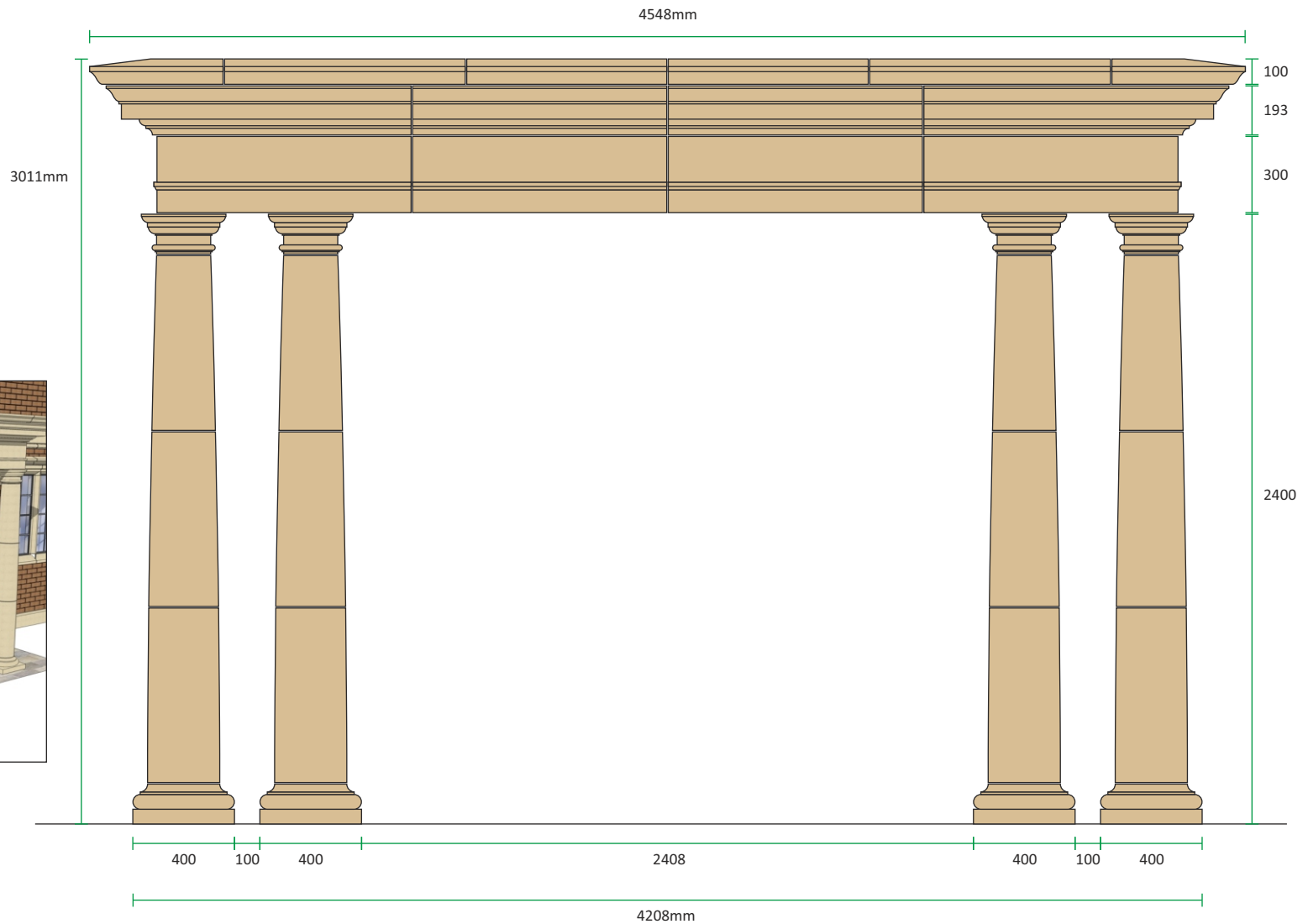
We recommend that the installation should be carried out by a competent builder or qualified Stone Installer.

Some sections may require cutting to suit your installation, full details and an easy to follow guide is available upon request.

All joints shown 6mm

# Example B Portico

This example shows how double columns can create an impressive look to any facade.



This example has a maximum projection from the building of 1531mm

The Example B Portico uses Traditional Tuscan Style CM30 Columns, A030 Decorative Architrave, our R010 Decorative Cornice, and R015 Weathered Cornice.

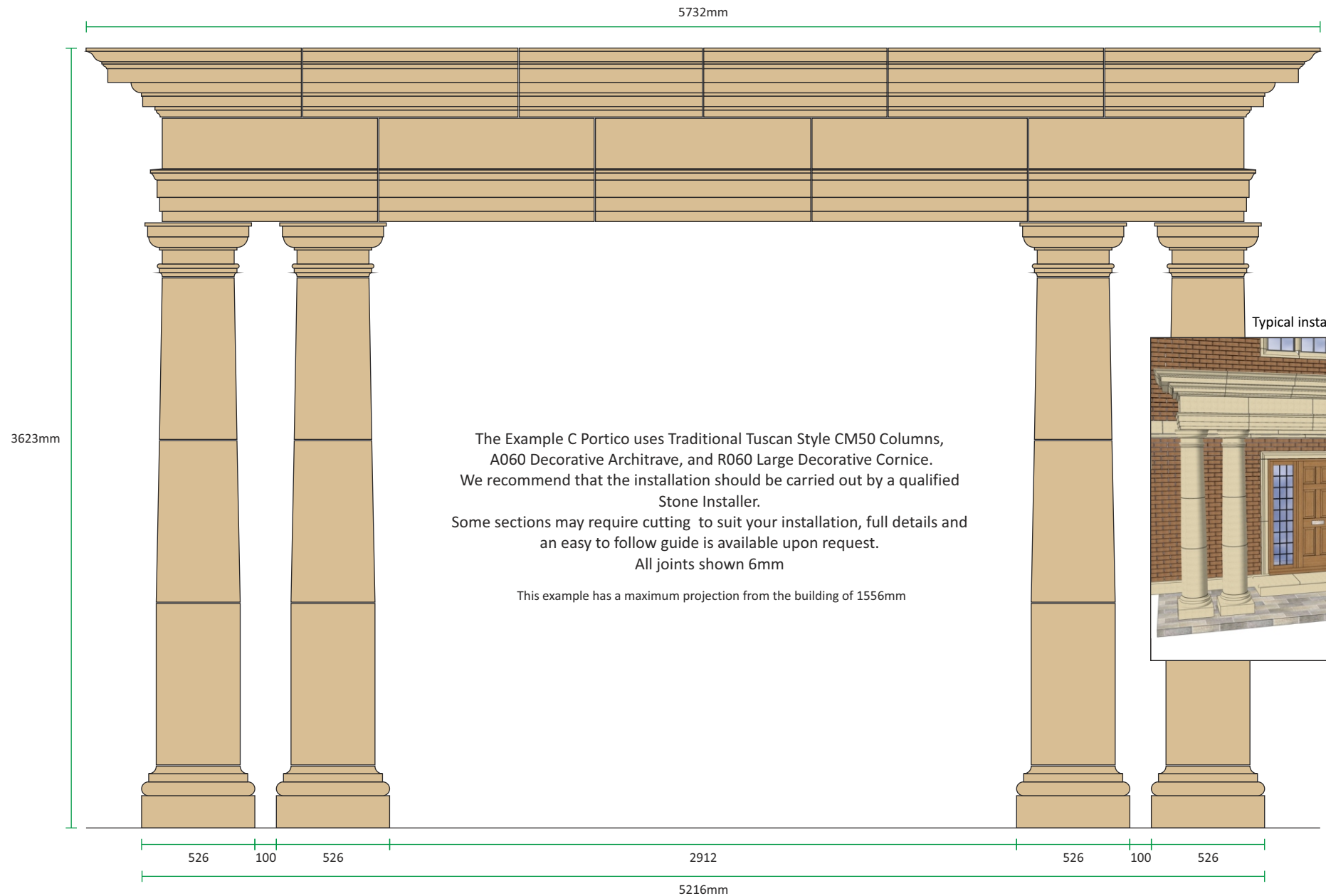
We recommend that the installation should be carried out by a competent builder or qualified Stone Installer.

Some sections may require cutting to suit your installation, full details and an easy to follow guide is available upon request.

All joints shown 6mm

# Example C Portico

Our largest example portico can create a grand entrance to any property.

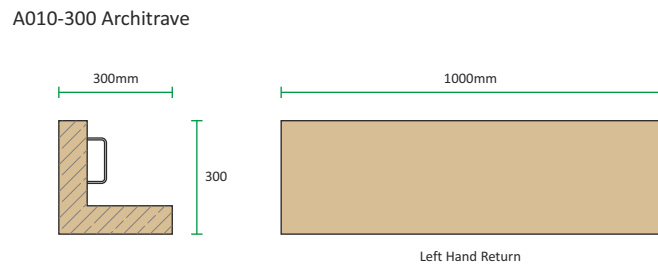
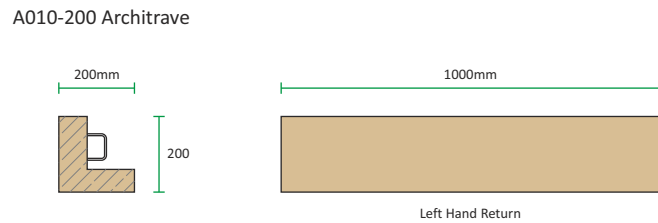
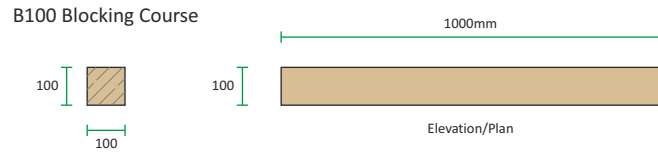


Typical installation detail

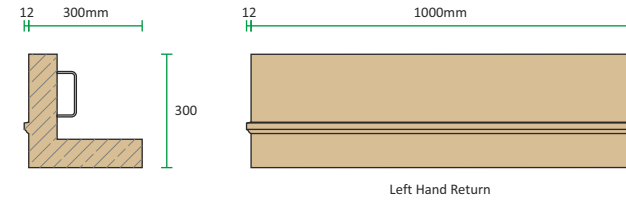


# Architrave

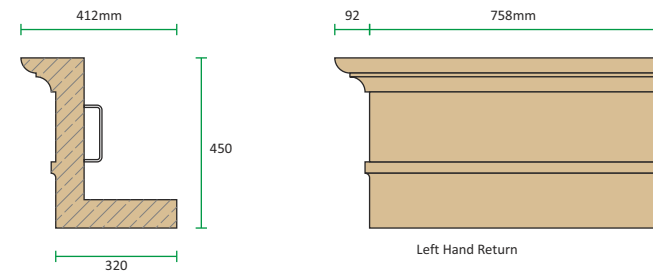
A key feature of any portico, architraves create the impressive facade whilst providing the facility for your chosen fixing method.



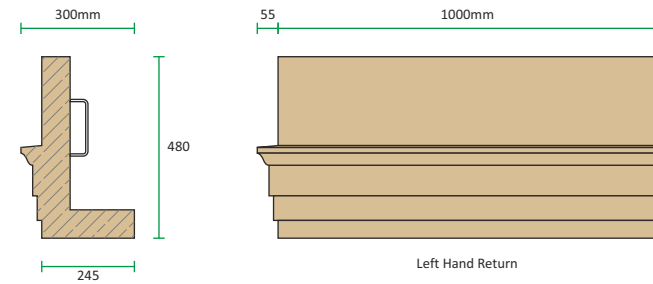
**A030 Architrave**



**A020 Architrave**



**A060 Architrave**

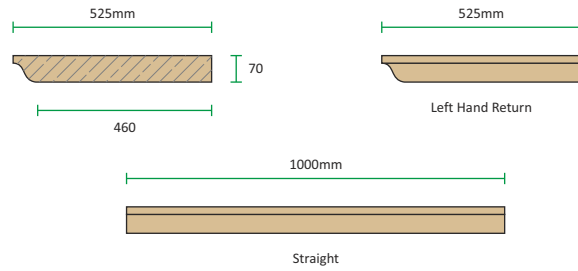


Our Architraves are available in straight sections or handed returns.  
All cast include 'cast in' stainless steel fixing loops.  
Bespoke fixings to suit your project can be cast in.  
Please call a member of our technical staff to discuss your requirements.

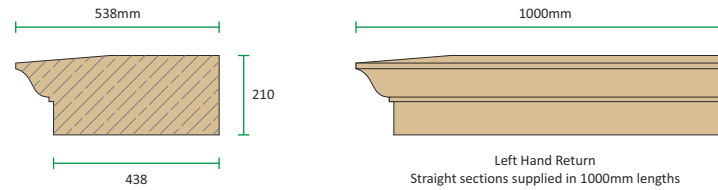
# Cornices

Our range of classically inspired cornices can be used for porticos, parapets, or to create a decorative addition to a wall.

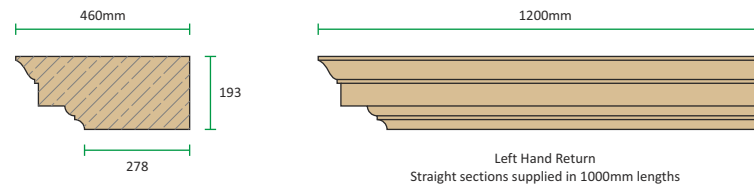
R016 Cornice



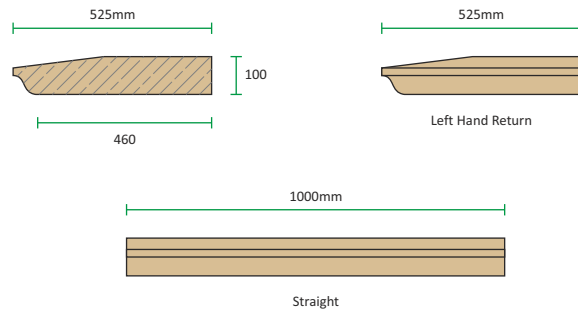
R020 Cornice



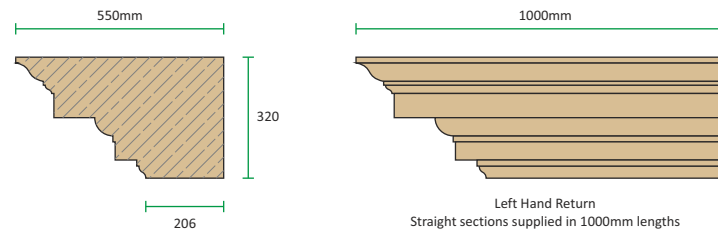
R010 Cornice



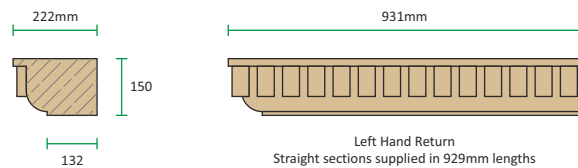
R015 Cornice



R060 Cornice



R050 Cornice



Typical installation detail



Our Architraves are available in straight sections or handed returns. The R020, R010, and R060 Cornice include 'Cast in' Sockets to receive lifting eyes. Bespoke fixings to suit your project can be cast in. Please call a member of our technical staff to discuss your requirements.



# Tuscan Columns CM20, CM30, and CM40

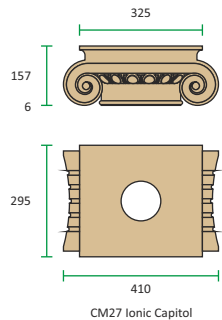
Whether building a Portico, or creating a colonnade we have a range of columns to suit any installation.

Our CM20, CM30, and CM40 Columns are available in a number of forms.

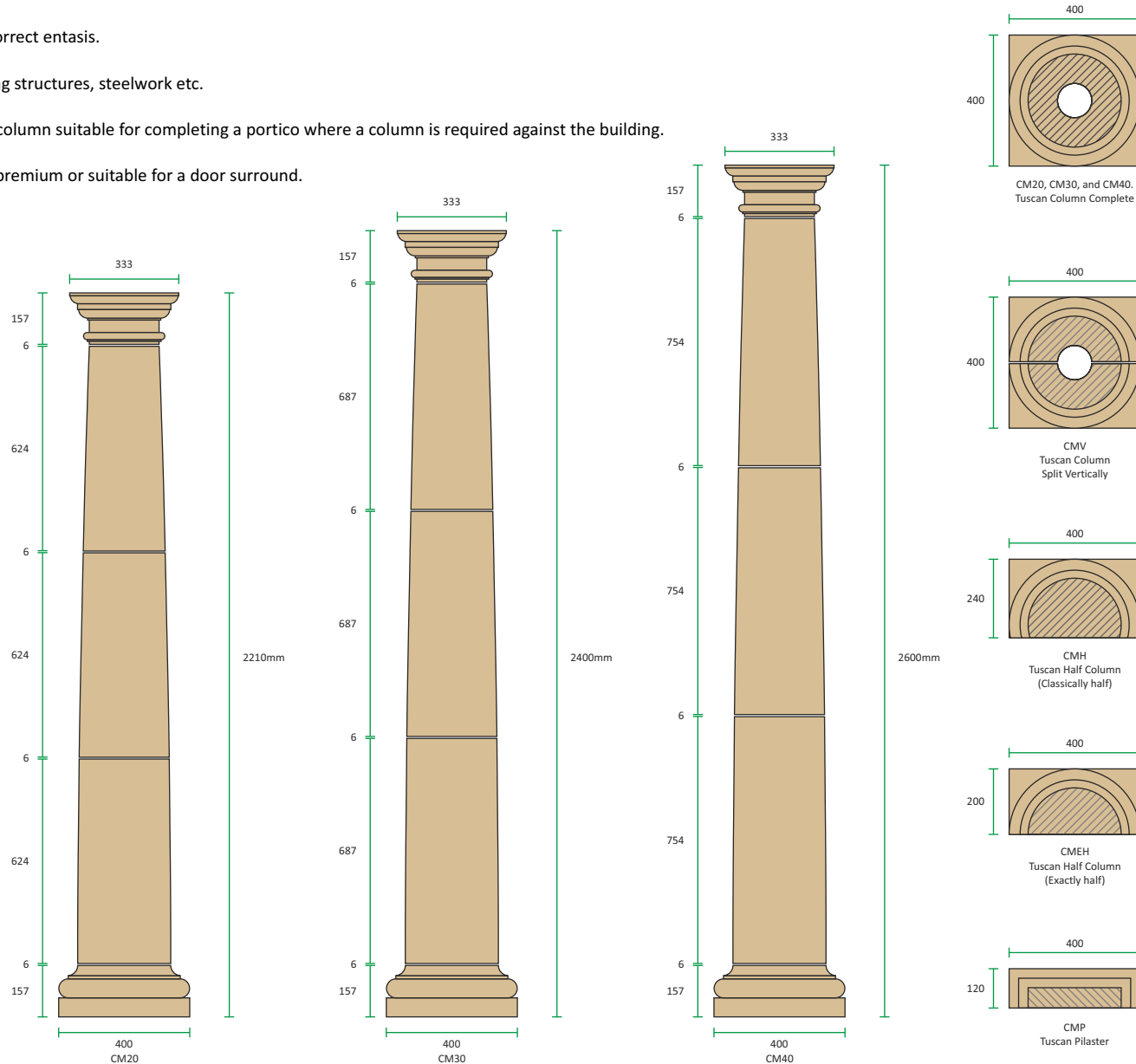
- Full Column  
A Tuscan column with classically correct entasis.
- Split vertically  
Perfect for installing around existing structures, steelwork etc.
- Half Column (Classically Half)  
A classically correct three quarter column suitable for completing a portico where a column is required against the building.
- Half Column (Exact Half)  
A half column where space is at a premium or suitable for a door surround.
- Pilaster  
A square in plan slim pilaster.

All our columns can have their overall height increased with a riser, or decreased with a slight modification.

Typical installation detail



CM27 Ionic Capitulum

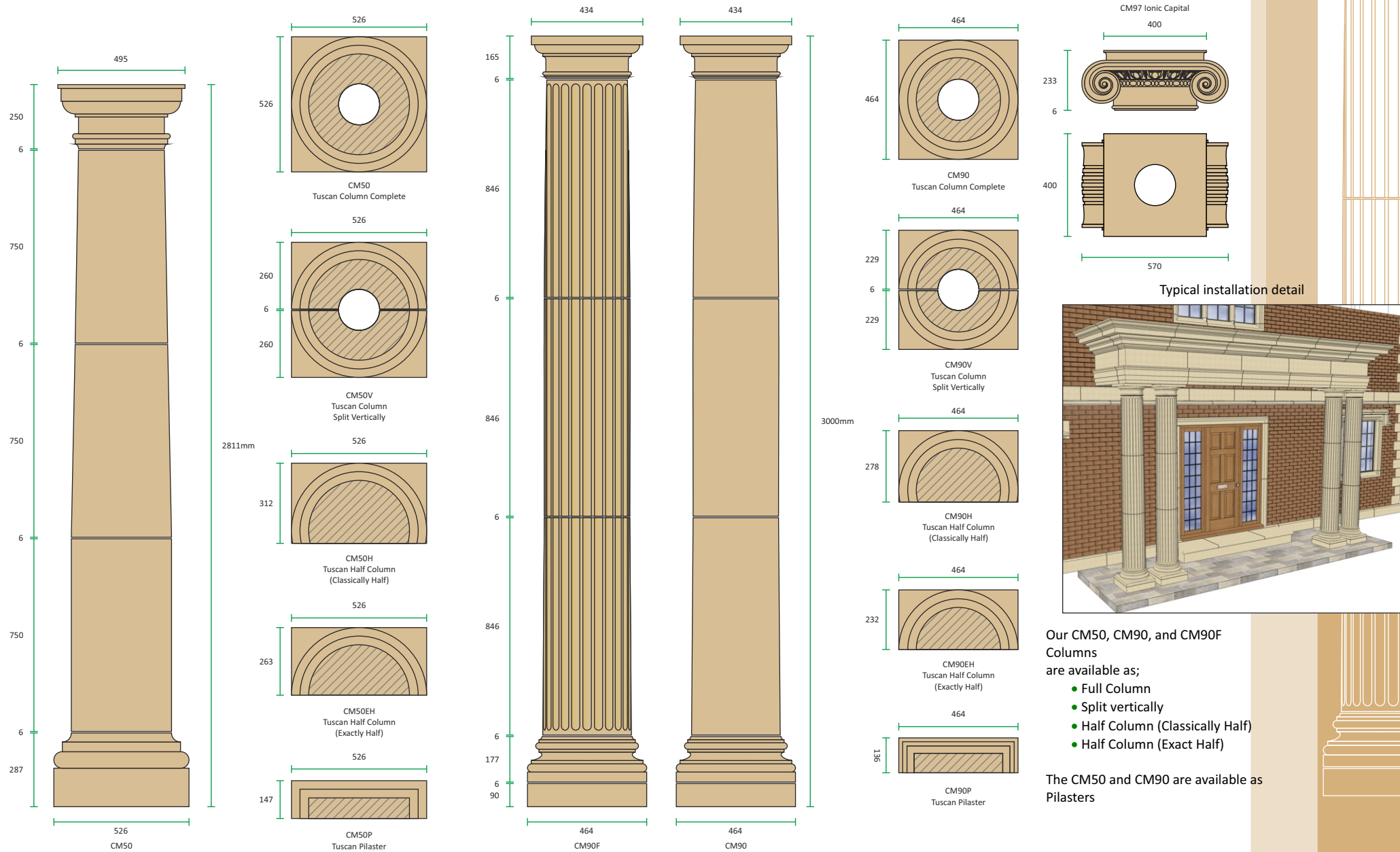


All our columns are supplied non-structural.

A 105mm diameter core can accommodate sufficient reinforcement to create a structural element. This core should be lined with a suitable foam membrane prior to any backfilling.

# Tuscan Columns CM50 and CM90

Our Larger Tuscan columns are suitable for grand installations and larger porticos.



# Columns C001, T150, and CM100

We manufacture three special columns, from our large Corinthian CM100 to our ornamental C001 and T150 columns.

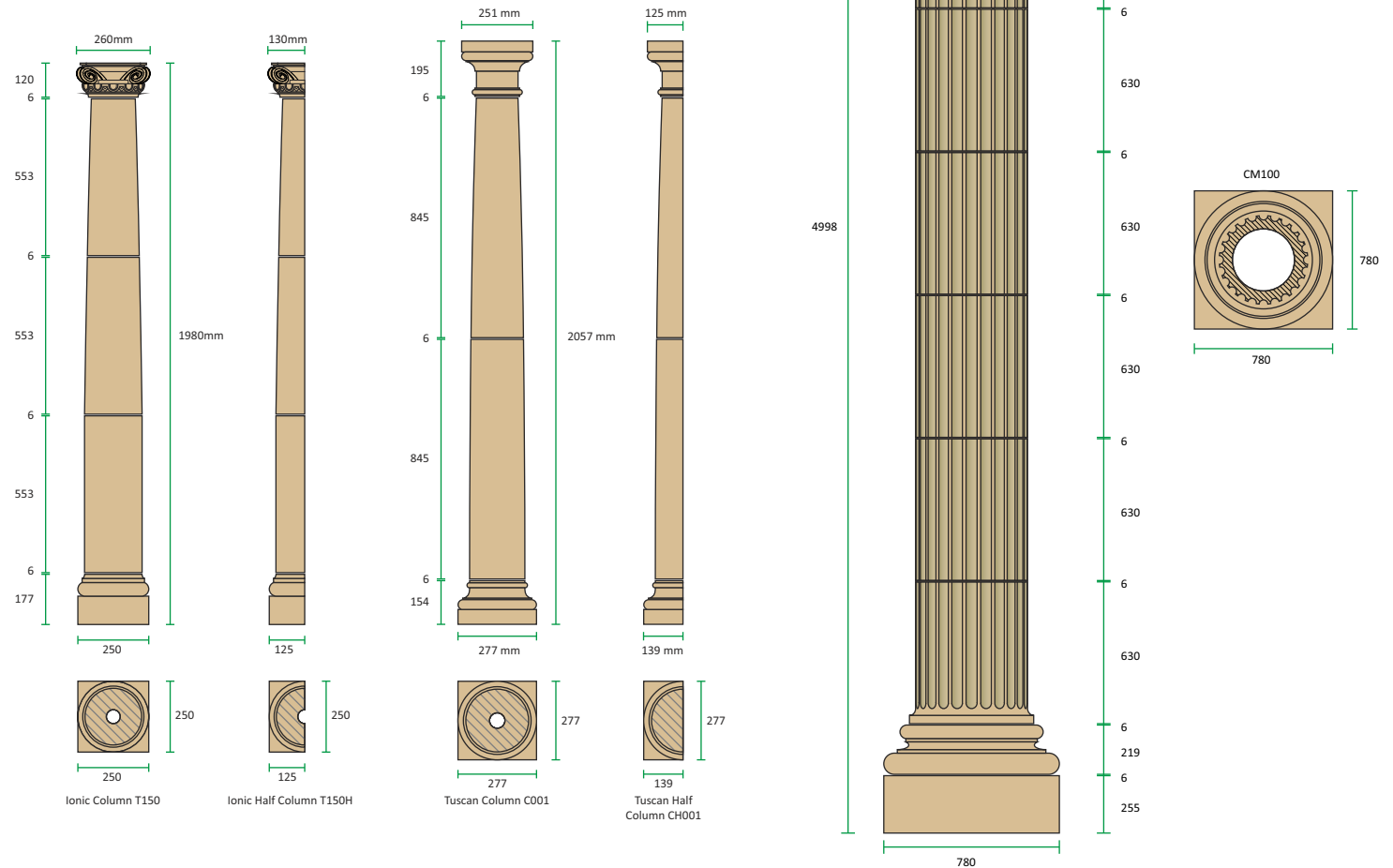
The CM100 is the largest column that we manufacture. It has an overall height of 5m. It features a fluted column containing a core of 350mm diameter

Our C001 and the T150 are suitable for ornamental purposes only. An optional core of 25mm can be cast in to order, this enables the column to be reinforced with Stainless Steel bar and resin fixed on site.

Typical installation detail



All our columns can have their overall height increased with a riser, our decreased with a slight modification. If you require any further information, please call 01258 472685 and ask to speak to a member of our technical department



# CAD Files

Drawings of all our Architectural features are available for downloading by visiting our website.

	AutoCAD®	Sketchup®	Acrobat®		AutoCAD®	Sketchup®	Acrobat®
CL010 One Brick Cills with Stools	✓	✓	✓	WS60 Window Surround 1810mm Opening width	✓	✓	✓
CL012 One Brick Cills without Stools	✓	✓	✓	WS60 Window Surround 1925mm Opening width	✓	✓	✓
CL015 Two Brick Cills with Stools	✓	✓	✓	WS60 Window Surround 2260mm Opening width	✓	✓	✓
CL016 Two Brick Cills without Stools	✓	✓	✓	Style 1 Window Surround	✓	✓	✓
CL020 Two Brick Cills with Stools	✓	✓	✓	Style 2 Window Surround	✓	✓	✓
CL022 Two Brick Cills without Stools	✓	✓	✓	WSC100 and WSC140 Circular Window Surrounds	✓	✓	✓
CL030 Decorative Cills	✓	✓	✓	Gothic Door Surround	✓	✓	✓
H010 Plain Head	✓	✓	✓	Hood Moulding	✓	✓	✓
H020 Keystone Head	✓	✓	✓	Corbels	✓	✓	✓
H010C Chamfered Head	✓	✓	✓	Gable vents	✓	✓	✓
H030 Angled Head	✓	✓	✓	Chamfered and Plain Quoins	✓	✓	✓
H040 Chamfered Head	✓	✓	✓	Plinth Course	✓	✓	✓
WS60 and WS60P Window Surround details and sections	✓	✓	✓	String Course	✓	✓	✓
WS60 Window Surround 407mm Opening width	✓	✓	✓	Example A Portico	✓	✓	✓
WS60 Window Surround 460mm Opening width	✓	✓	✓	Example B Portico	✓	✓	✓
WS60 Window Surround 685mm Opening width	✓	✓	✓	Example C Portico	✓	✓	✓
WS60 Window Surround 910mm Opening width	✓	✓	✓	Architraves	✓	✓	✓
WS60 Window Surround 1135mm Opening width	✓	✓	✓	Cornices	✓	✓	✓
WS60 Window Surround 1248mm Opening width	✓	✓	✓	Tuscan Columns	✓	✓	✓
WS60 Window Surround 1360mm Opening width	✓	✓	✓	Ionic Columns	✓	✓	✓
WS60 Window Surround 1585mm Opening width	✓	✓	✓	CMS20 Square Column Range	✓	✓	✓
WS60 Window Surround 1700mm Opening width	✓	✓	✓	CM100 Corinthian Column	✓	✓	✓

## File Viewers

If you do not have the software to view these files, free viewing software is available by visiting the relevant website below

### AutoCAD®

Autodesk® DWG TrueView™ software is a free stand-alone DWG™ viewer. Visit their website to download <http://usa.autodesk.com/>

### Sketchup®

Anyone can use the free SketchUp Viewer to view and print models created in SketchUp. Visit their website to download <http://sketchup.google.com/>

### Acrobat Reader®

Use Adobe Reader to view, search, verify, print, and collaborate on Adobe PDF files. Visit their website to download <http://www.adobe.com>

# Glossary and FAQ's

To help you and answer a few of your questions, we have compiled this handy list of commonly used terms and questions.

## Glossary

**Cill** - A horizontal piece forming the bottom frame of a window or door opening.

**Stool** - Part of the cill that is built into the brick work. This enables the brickwork to be built on top of the cill and continue in standard bond.

**Weatherbar** - A stainless steel or brass bar linking the cill to the window frame forming a waterproof barrier.

**Head** - A term that applied to the construction that comprises the entire lintel of a door or window.

**Bearing** - The area of the head supported by the brickwork below.

**Chamfer** - A bevelled edge.

**Keystone** - The central, topmost stone of an arch or head.

**Gable Vent** - A triangular or rectangular ventilation opening found in a gable wall.

**Quoin** - A stone or block reinforcing for accenting the corners of a building.

**Plinth** - A continuous course of stones supporting a wall.

**String Course** - A horizontal band or moulding set in the face of a building as a design element.

**Portico** - A large porch usually with a pediment roof supported by classical columns or pillars.

**Column** - A slender, upright structure, usually a supporting member in a building.

**Colonnade** - A row of columns forming an element of an architectural composition.

**Architrave** - Originally a simple, flat, structural lintel spanning an opening in a wall, it is the lowest part of the classical entablature.

**Corbel** - A projecting wall member used as a support for some elements of the superstructure.

**Cornice** - Decorative projection along top of wall.

**Corinthian column** - In classical architecture, a column decorated at the top with curlicues, scrolls and other lavish ornamentation.

**Tuscan** - A classical order similar to Roman Doric but having columns with an unfluted shaft and a simplified base, capital, and entablature.

**Ionic** - The type of Greek column characterised by scroll-like decorations.

**Fluted** - Having flutes or grooves.

## FAQ

### Can you cut the Stone?

Our stone cuts and carves just as true sandstone. A consistent texture throughout ensures that our product cuts and carves smoothly.

### Can the columns be used structurally?

The majority of our columns incorporate a hollow core which can be used either to be filled with a reinforced concrete column, or as a casement to a structural steel support.

### Are the Cills and Heads available for bespoke opening sizes?

All our Heads and Cills are available at bespoke sizes, either as a single section up to 1200mm or in multiple sections. Please call our technical department to discuss your requirements.

### Is the stone frostproof?

All our stone products are frost proof and are unaffected in normal conditions if installed correctly.

### How does the stone age?

The stone ages in a similar way to true stone, this can be encouraged or slowed by using a number of readily available products after installation.

### How do we fix the stone?

There are a range of fixings specially designed for cast stone, if required; we can cast in fixings subject to your specification.

### Are there installation guides?

Each of our products has a guide available. These are available from our technical department.

### What colours are available?

The Cranborne Stone range of products are available in our six regional colours Portland White, Cotswold, Bath Yellow, Yorkstone, Devon Red and Shaftesbury Green.

Bespoke and colour matching is available as a special order.

### Do I need an account to order with you?

We supply both the trade and private customers alike, you do not need an account with us to place an order. We do however request a deposit at the time of order.

### Is Pointing mix supplied?

Where required, we supply sufficient colour matched aggregate free of charge. We recommend that this is mixed at a ratio of 4:1 with Portland White Cement. Pointing instructions are available upon request.



# Bespoke Projects

If you have a project that requires bespoke features, Cranborne Stone can help.



## Bespoke Projects

At Cranborne Stone we understand that some properties are individual and as so, they require bespoke designs.

We have over 30 years of experience supplying the most discerning of properties with bespoke features tailored to designers requirements. We offer an in house services from conception and design through to production and delivery with one to one support throughout the duration of your project.

We are able to attend site meetings, liaise between Architects and Clients, provide a fully specified quotation, working drawings for client approval, and a clear delivery program to suit your project.

As with any type of project, if we are consulted at design stage, we can save you time and money by suggesting solutions to any design issues before they arise.

## Quality Standards

Cranborne Stone works to finer tolerances than the UKCSA standard for Mechanical strength. Regular testing by independent laboratories confirm our casts exceed British Standards for strength and capillary absorption. Standards laid down by the UK Cast Stone Association for accuracy and tolerance are also exceeded.

Our mix is semi-dry and homogenous which allows for better handling and cutting.

Casts conform to:

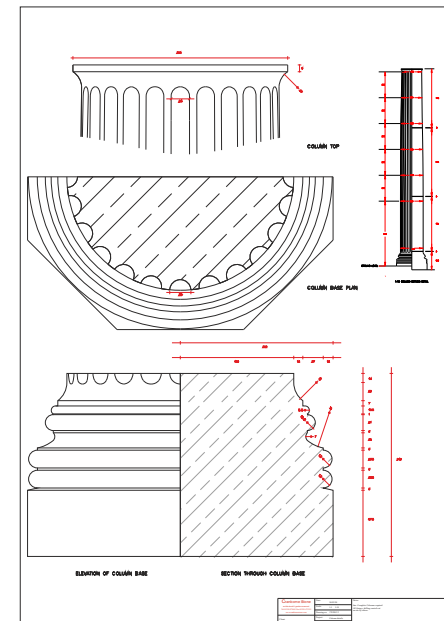
BS1217:1997 for strength

BS1217:1997 for capillary absorption

If you feel that you have a project that you would like us to help with, please feel free to contact us via email or telephone at the details below. We will be happy to assist you in any way that we can.



Using traditional techniques along side the latest design software, our designers can help you realise your ideas and guide you through the design process.



*Address* Cranborne Stone Ltd  
Butts Pond  
Sturminster Newton  
Dorset  
DT10 1AZ

*Fax* 01258 471251

*Telephone* 01258 472685

*email* [info@cranbornestone.com](mailto:info@cranbornestone.com)

*web* [www.cranbornestone.com](http://www.cranbornestone.com)