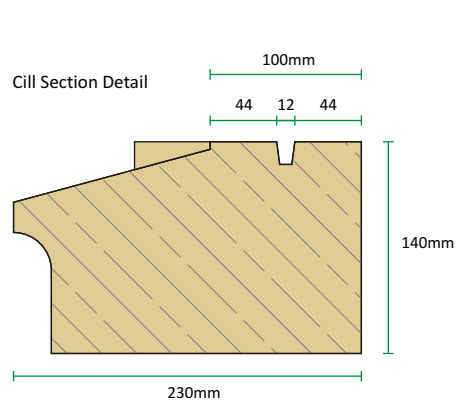
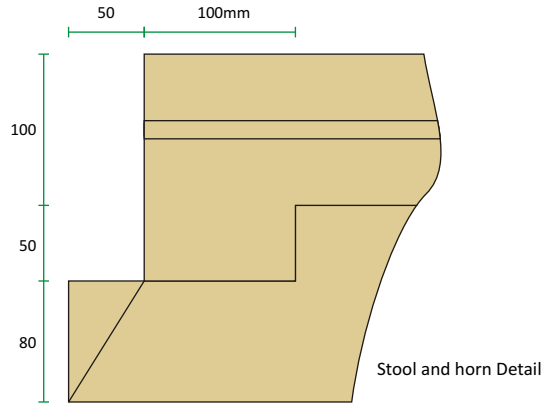
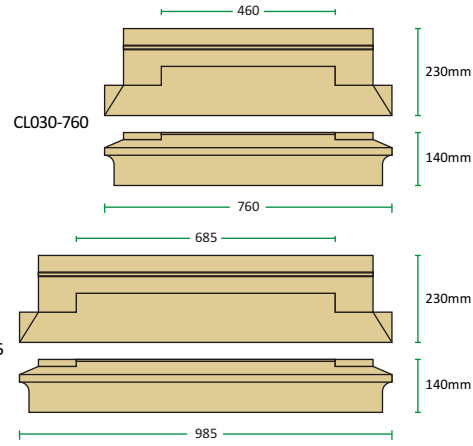


Decorative Cill CL030

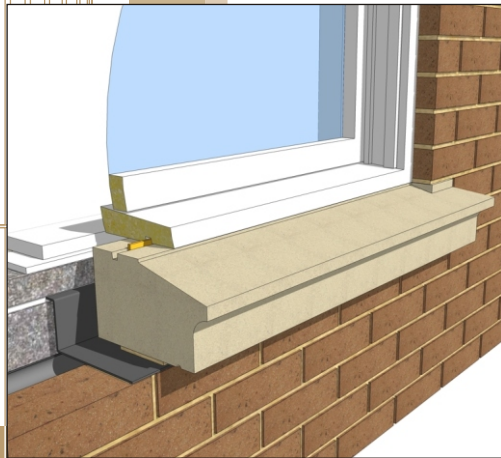
Our Decorative cills are designed to fit standard brick coursing with 100mm stools to fit standard English bond.



Plan and Elevation of our standard opening sizes



Typical installation detail



Our Cills are available to fit standard openings or a bespoke opening to your request. Internal Stainless steel reinforcing and lifting lugs can be cast in to order. If you require any further information, please call 01258 472685 and ask to speak to a member of our technical department. All joints shown 6mm

Code	Height (mm)	Width (mm)	Brick opening length (mm)	Overall length (mm)	Weight (Kg)	No. of sections
CL030-760	140	230	460	760	39	1
CL030-985	140	230	685	985	52	1
CL030-1210	140	230	910	1210	64	1
CL030-1435	140	230	1135	1435	80	2
CL030-1548	140	230	1248	1548	85	2
CL030-1660	140	230	1360	1660	89	2
CL030-1885	140	230	1585	1885	96	2
CL030-2110	140	230	1810	2110	114	2

