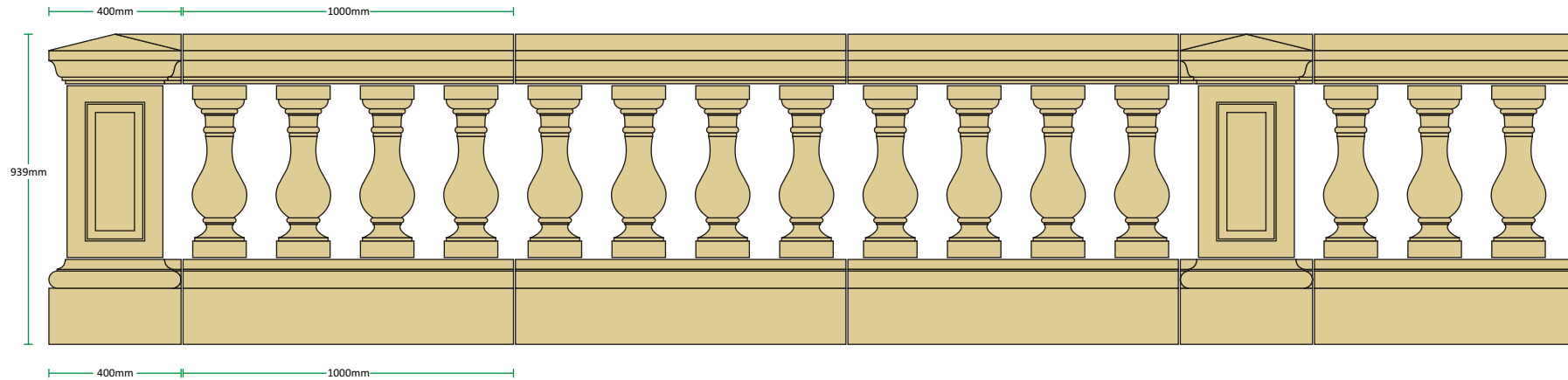


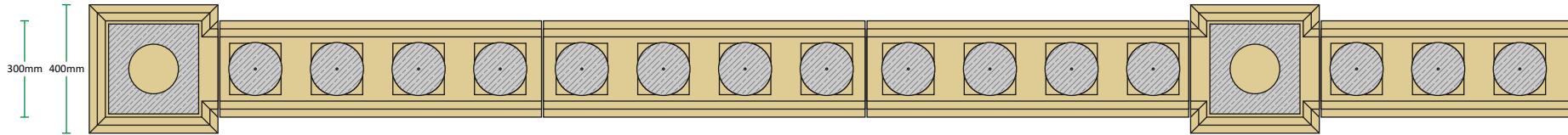
Style 10 Balustrade

Regency Baluster combined with the Vyne Rail and Plinth with Decorated Piers.

Elevation



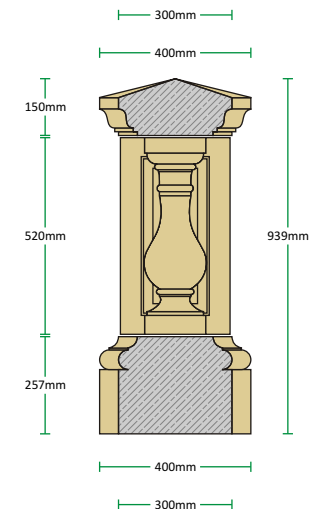
Plinth Plan



'Style 10' Balustrade		Height	Width	Length	Weight
Description	Code	(mm)	(mm)	(mm)	(Kg)
Regency baluster	BS2A	520	160	160	20
Regency baluster - Sloping*	BS2B	520	160	160	20
Vyne Rail	BS12C	150	300	1000	71
Vyne Plinth	BS12D	257	300	1000	113
Vyne Pier Cap - End	BS12E	150	400	400	32
Vyne Pier Cap - Intermediate	BS12F	150	400	400	32
Vyne Pier Cap - Corner	BS12G	150	400	400	32
Vyne Pier Plinth - End	BS12H	257	400	400	60
Vyne Pier Plinth - Intermediate	BS12I	257	400	400	60
Vyne Pier Plinth - Corner	BS12J	257	400	400	60
Vyne Panelled Pier Shaft	BS12L/520	520	280	280	64

* The Sloping Regency baluster can be made to any angle, please specify the angle required at time of ordering

Section



All our balustrade styles feature an optional 135° Pier, please call a member of our technical team with your requirements.