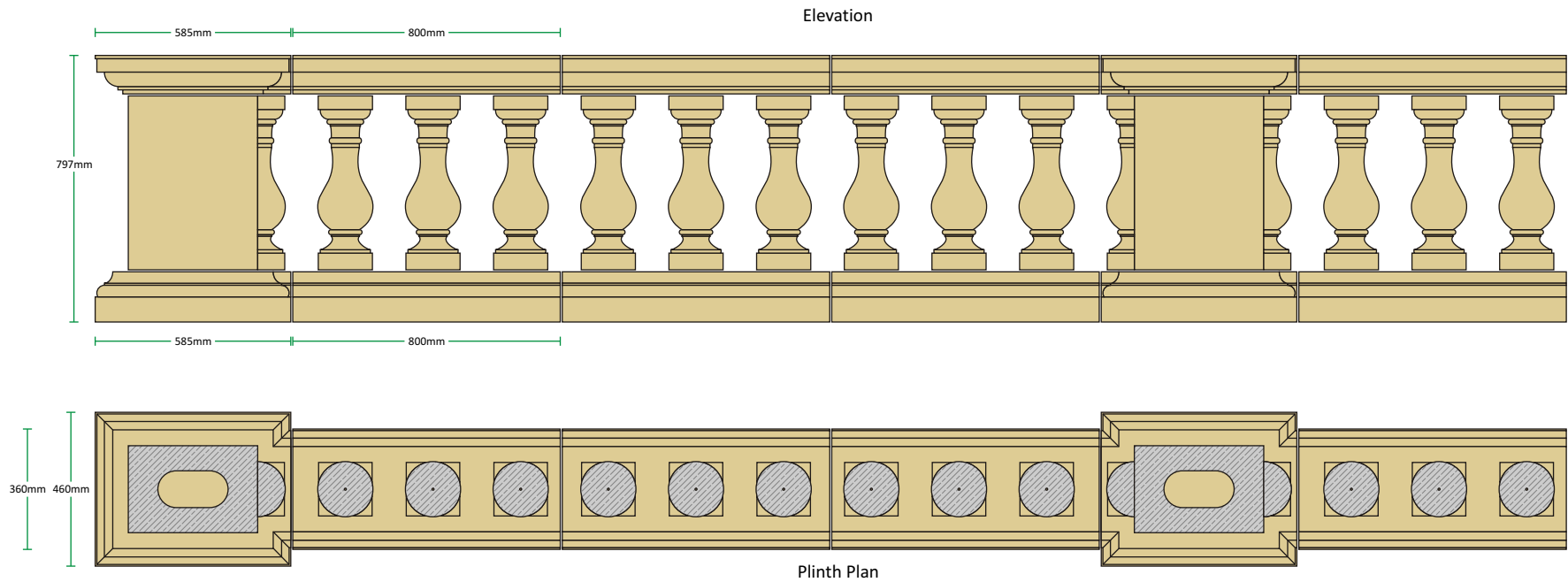


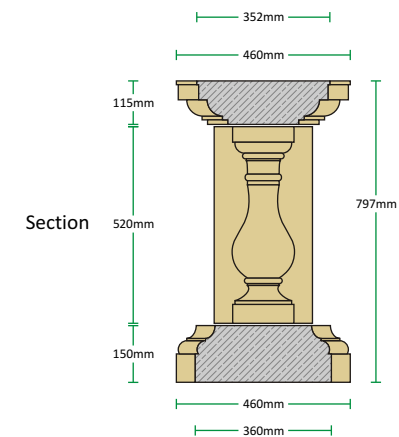
Style 9 Balustrade

Regency Baluster combined with the Regency Rail and Plinth with Plain Piers.



'Style 9' Balustrade		Height	Width	Length	Weight
Description	Code	(mm)	(mm)	(mm)	(Kg)
Regency baluster	BS2A	520	160	160	20
Regency baluster - Half	BS2AH	520	160	80	10
Regency baluster - Sloping*	BS2B	520	160	160	20
Regency Rail	BS2C	115	352	800	54
Regency Plinth	BS2D	150	360	800	72
Regency Pier Cap - End	BS2E	115	585	460	58
Regency Pier Cap - Intermediate	BS2F	115	585	460	58
Regency Pier Cap - Corner	BS2G	115	585	585	71
Regency Pier Plinth - End	BS2H	150	585	460	76
Regency Pier Plinth - Intermediate	BS2I	150	585	460	76
Regency Pier Plinth - Corner	BS2J	150	585	585	92
Regency Pier Shaft - Plain	BS2K	520	387	260	89
Regency Pier Shaft - Plain - Corner	BS2LC	520	387	387	120

* The Sloping Regency baluster can be made to any angle, please specify the angle required at time of ordering



All our balustrade styles feature an optional 135° Pier, please call a member of our technical team with your requirements.