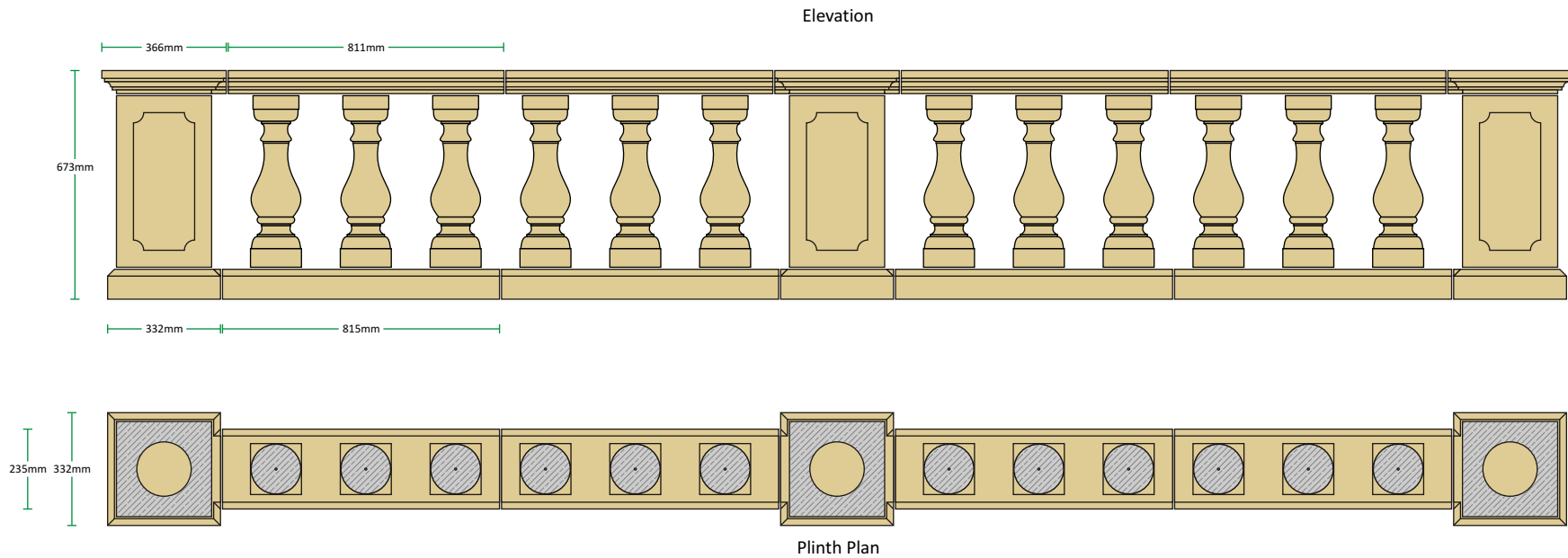


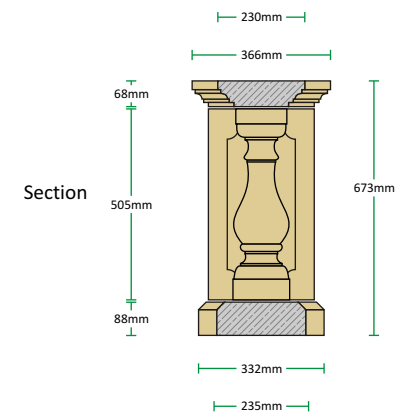
Style 5 Balustrade

Classical Baluster combined with the Classical Rail and Plinth with Decorated Piers.



'Style 5' Balustrade		Height	Width	Length	Weight
Description	Code	(mm)	(mm)	(mm)	(Kg)
Classical baluster	BS5A	505	150	150	13
Classical baluster - Sloping*	BS5B	505	150	150	13
Classical Rail	BS5C	68	230	811	21
Classical Plinth	BS5D	88	235	815	33
Classical Pier Cap - End	BS5E	68	366	366	16
Classical Pier Cap - Intermediate	BS5F	68	366	366	16
Classical Pier Cap - Corner	BS5G	68	366	366	16
Classical Pier Plinth - End	BS5H	88	332	332	19
Classical Pier Plinth - Intermediate	BS5I	88	332	332	19
Classical Pier Plinth - Corner	BS5J	88	332	332	19
Classical Decorated Pier Shaft	BS5L	505	280	280	62

* The Sloping Classical baluster can be made to any angle, please specify the angle required at time of ordering



All our balustrade styles feature an optional 135° Pier, please call a member of our technical team with your requirements.