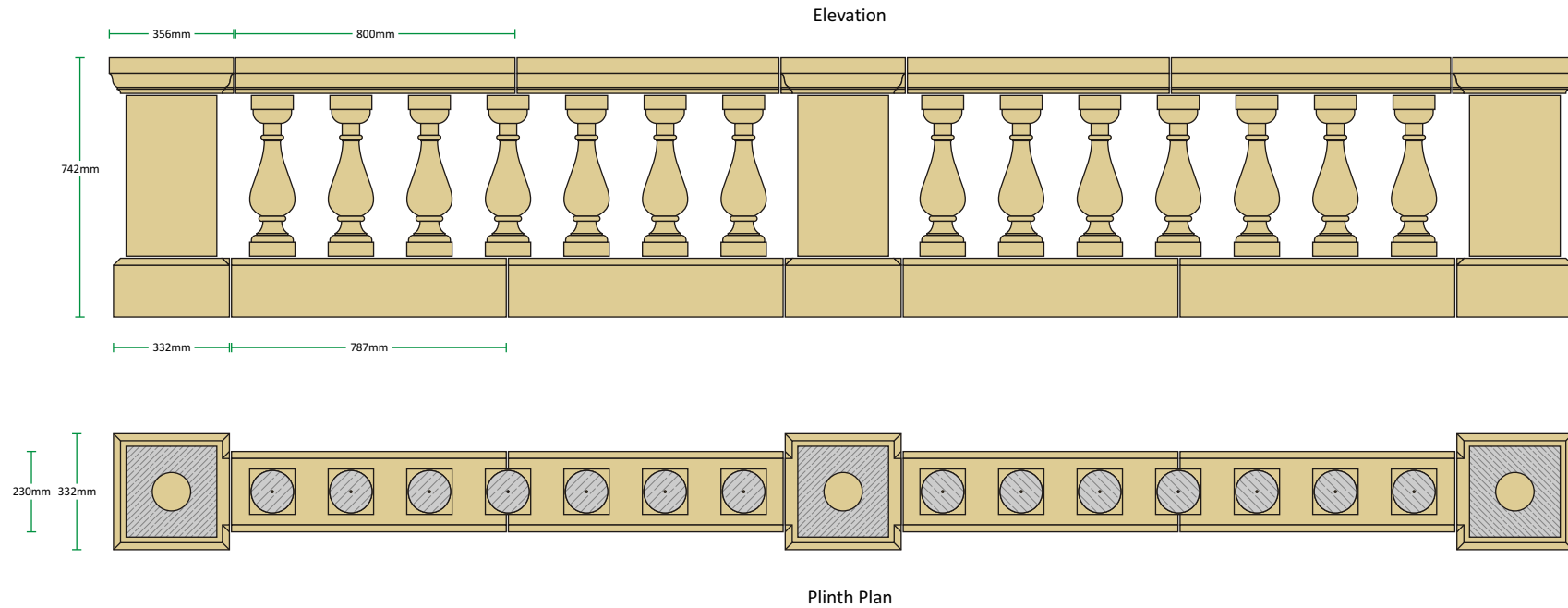


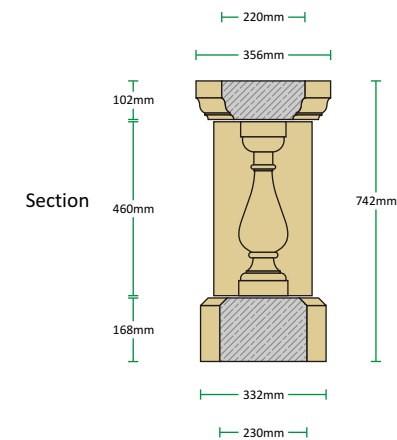
Style 4 Balustrade

Henbury Baluster combined with the Kensington Rail and the Georgian Plinth with Plain Piers.



'Style 4' Balustrade		Height	Width	Length	Weight
Description	Code	(mm)	(mm)	(mm)	(Kg)
Henbury baluster	BS16A	460	130	130	10
Henbury baluster - Sloping*	BS16B	460	130	130	10
Kensington Rail	BS7C	102	220	800	31
Georgian Plinth	BS4D	168	230	787	60
Kensington Pier Cap - End	BS7E	102	356	356	24
Kensington Pier Cap - Intermediate	BS7F	102	356	356	24
Kensington Pier Cap - Corner	BS7G	102	356	356	24
Georgian Pier Plinth - End	BS4H	168	332	332	36
Georgian Pier Plinth - Intermediate	BS4I	168	332	332	36
Georgian Pier Plinth - Corner	BS4J	168	332	332	36
Henbury Plain Pier Shaft	BS16K/460	460	260	260	56

* The Sloping Henbury baluster can be made to any angle, please specify the angle required at time of ordering



All our balustrade styles feature an optional 135° Pier, please call a member of our technical team with your requirements.